

REV	DESCRIPTION OF REVISION	By	DATE	APPROVED
A	INITIAL RELEASE	C. Cai	2024/5/17	C. Chen

## TECHNICAL DATA

### ► Electrical Data

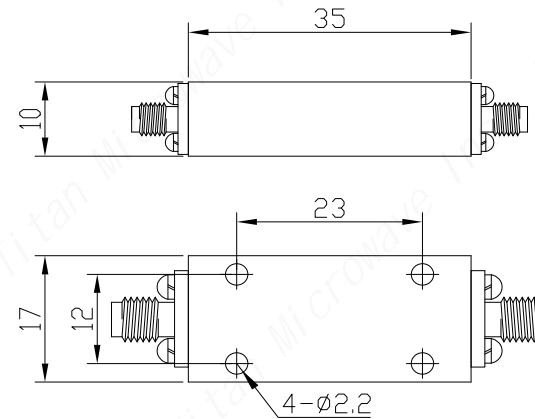
Stop Band Frequency	24~24.25GHz
Stop Band Attenuation	≥40dB
Pass Band Frequency	DC~23GHz & 25.25~40GHz
Pass Band Insertion Loss	≤3.0dB
Pass Band VSWR	≤2.0:1
Power Handling	1W
Impedance	50 Ohms

### ► Mechanical Data

Dimensions	35×17×10mm
Connectors	SMA-Female
Surface Finish	Black Painted

### ► Environmental Data

Operating Temperature	-30℃~+70℃
Storage Temperature	-55℃~+85℃



DRAWN: L. Ma 17/05/24		
ENGINEER: J. Zhu 17/05/24		
APPROVED: C. Chen 17/05/24		
TOLERANCE UNLESS OTHERWISE SPECIFIED		
x	±0.50	[0.019"]
.x	±0.20	[0.008"]
.xx	±0.10	[0.004"]
ANGLES	±1°	

**TITLE:**  
Band Reject Filter,  
24~24.25GHz, Stop Band  
Rejection 40dB, 1W,  
SMA-Female

**PART No.:**  
TRF-24002425-40S

**成都巨人微波**  
**TITAN MICROWAVE INC.**  
- A Professional RF & Microwave Components Supplier -

[www.titan-microwave.com](http://www.titan-microwave.com)



DIMENSIONS IN MILLIMETERS(mm)

SIZE: A4	SCALE:	SHEET: 1/1	REV: A
-------------	--------	---------------	-----------

#### Notes:

- ALL SPECIFICATIONS ARE SUBJECT TO CHANGE WITHOUT NOTICE AT ANY TIME
- CUSTOMER OUTLINE DRAWING FOR REFERENCE ONLY