

| REV | DESCRIPTION OF REVISION | By | DATE | APPROVED |
|-----|-------------------------|--------|-----------|----------|
| A | INITIAL RELEASE | C. Cai | 2024/5/17 | C. Chen |

TECHNICAL DATA

► Electrical Data

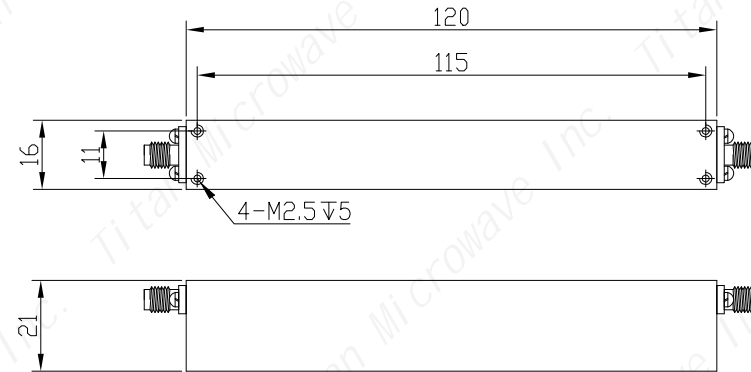
| | |
|--------------------------|----------------------------|
| Stop Band Frequency | 5925~6425MHz |
| Stop Band Attenuation | ≥40dB |
| Pass Band Frequency | DC~5875MHz & 6475~18000MHz |
| Pass Band Insertion Loss | ≤3.0dB |
| Pass Band VSWR | ≤2.0:1 |
| Power Handling | 10W |
| Impedance | 50 Ohms |

► Mechanical Data

| | |
|----------------|---------------|
| Dimensions | 120×21×16mm |
| Connectors | SMA-Female |
| Surface Finish | Black Painted |


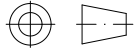
► Environmental Data

| | |
|-----------------------|-----------|
| Operating Temperature | -30℃~+70℃ |
| Storage Temperature | -55℃~+85℃ |



Notes:

- ALL SPECIFICATIONS ARE SUBJECT TO CHANGE WITHOUT NOTICE AT ANY TIME
- CUSTOMER OUTLINE DRAWING FOR REFERENCE ONLY

| | | | | | | |
|--------------------------------------|--|---|-------------|--|---------------|-----------|
| DRAWN: L. Ma 17/05/24 | TITLE: Band Reject Filter, 5.925~6.425GHz, Stop Band Rejection 40dB, 10W, SMA-Female |  成都巨人微波 TITAN MICROWAVE INC. <small>- A Professional RF & Microwave Components Supplier -</small> | | | | |
| ENGINEER: J. Zhu 17/05/24 | | | | www.titan-microwave.com | | |
| APPROVED: C. Chen 17/05/24 | |  DIMENSIONS IN MILLIMETERS(mm) | | | | |
| TOLERANCE UNLESS OTHERWISE SPECIFIED | | PART No.: TRF-05920642-40S | SIZE: A4 | SCALE: | SHEET: 1/1 | REV: A |
| x | ±0.50 [0.019"] | | | | | |
| .x | ±0.20 [0.008"] | | | | | |
| .xx | ±0.10 [0.004"] | | | | | |
| ANGLES | ±1° | | | | | |