

| REV | DESCRIPTION OF REVISION | By | DATE | APPROVED |
|-----|-------------------------|--------|-----------|----------|
| A | INITIAL RELEASE | C. Cai | 2024/5/17 | C. Chen |

TECHNICAL DATA

► Electrical Data

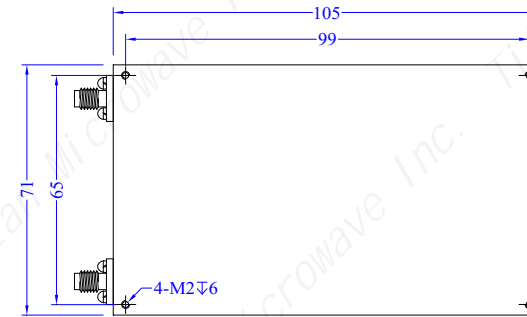
| | |
|--------------------------|--|
| Stop Band Frequency | 4400~5000MHz |
| Stop Band Attenuation | ≥80dB |
| Pass Band Frequency | DC~4340MHz & 5060~8000MHz |
| Pass Band Insertion Loss | ≤3.0dB@DC~4300MHz & 5100~8000MHz ≤5.0dB@4300~4340MHz & 5060~5100MHz |
| Pass Band VSWR | ≤2.5:1 |
| Power Handling | 10W |
| Impedance | 50 Ohms |

► Mechanical Data

| | |
|----------------|---------------|
| Dimensions | 105×71×32mm |
| Connectors | SMA-Female |
| Surface Finish | Black Painted |

► Environmental Data

| | |
|-----------------------|-----------|
| Operating Temperature | -30℃~+70℃ |
| Storage Temperature | -55℃~+85℃ |



| | | |
|--------------------------------------|-------|----------|
| DRAWN: L. Ma 17/05/24 | | |
| ENGINEER: J. Zhu 17/05/24 | | |
| APPROVED: C. Chen 17/05/24 | | |
| TOLERANCE UNLESS OTHERWISE SPECIFIED | | |
| x | ±0.50 | [0.019"] |
| .x | ±0.20 | [0.008"] |
| .xx | ±0.10 | [0.004"] |
| ANGLES | ±1° | |

TITLE:
Band Reject Filter,
4.4~5GHz, Stop Band
Rejection 80dB, 10W,
SMA-Female



www.titan-microwave.com



DIMENSIONS IN MILLIMETERS(mm)

PART No.:
TRF-04400500-80S

| | | | |
|-------------|--------|---------------|-----------|
| SIZE: A4 | SCALE: | SHEET: 1/1 | REV: A |
|-------------|--------|---------------|-----------|

Notes:

- ALL SPECIFICATIONS ARE SUBJECT TO CHANGE WITHOUT NOTICE AT ANY TIME
- CUSTOMER OUTLINE DRAWING FOR REFERENCE ONLY