

REV	DESCRIPTION OF REVISION	By	DATE	APPROVED
A	INITIAL RELEASE	C. Cai	2024/5/17	C. Chen

## TECHNICAL DATA

### ► Electrical Data

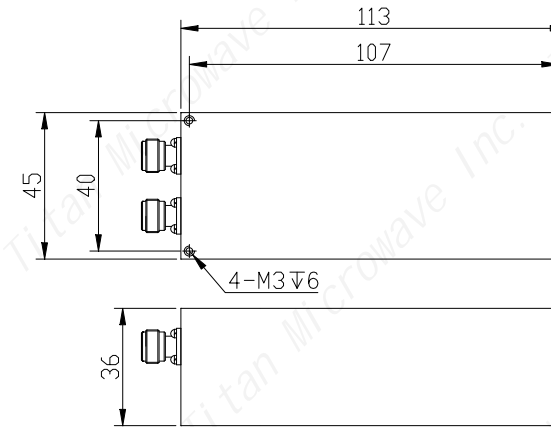
Stop Band Frequency	2110~2170MHz
Stop Band Attenuation	≥60dB
Pass Band Frequency	DC~2090MHz & 2190~6000MHz
Pass Band Insertion Loss	≤2.0dB
Pass Band VSWR	≤2.0:1
Power Handling	100W
Impedance	50 Ohms

### ► Mechanical Data

Dimensions	113×45×36mm
Connectors	N-Female
Surface Finish	Black Painted

### ► Environmental Data

Operating Temperature	-30℃~+70℃
Storage Temperature	-55℃~+85℃



#### Notes:

- ALL SPECIFICATIONS ARE SUBJECT TO CHANGE WITHOUT NOTICE AT ANY TIME
- CUSTOMER OUTLINE DRAWING FOR REFERENCE ONLY

DRAWN: L. Ma 17/05/24		
ENGINEER: J. Zhu 17/05/24		
APPROVED: C. Chen 17/05/24		
TOLERANCE UNLESS OTHERWISE SPECIFIED		
x	±0.50	[0.019"]
.x	±0.20	[0.008"]
.xx	±0.10	[0.004"]
ANGLES	±1°	

#### TITLE:

Band Reject Filter,  
2.11~2.17GHz, Stop  
Band Rejection 60dB,  
100W, N-Female

#### PART No.:

TRF-02110217-60N



[www.titan-microwave.com](http://www.titan-microwave.com)



DIMENSIONS IN MILLIMETERS(mm)

SIZE:  
A4

SCALE:

SHEET:  
1/1

REV:  
A