

REV	DESCRIPTION OF REVISION	By	DATE	APPROVED
A	INITIAL RELEASE	C. Cai	2024/5/17	C. Chen

TECHNICAL DATA

► Electrical Data

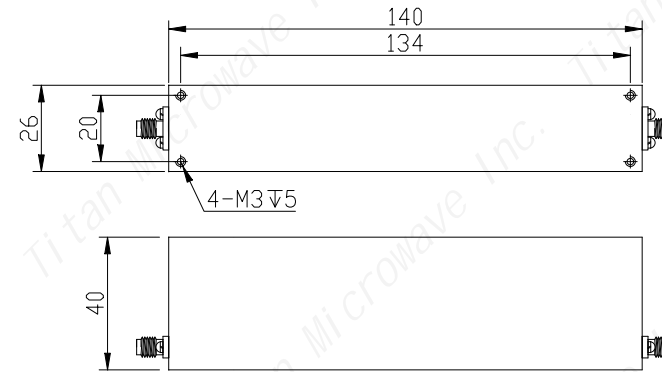
Stop Band Frequency	1880~1920MHz
Stop Band Attenuation	≥40dB
Pass Band Frequency	DC~1865MHz & 1935~3000MHz
Pass Band Insertion Loss	≤2.0dB
Pass Band VSWR	≤2.0:1
Power Handling	10W
Impedance	50 Ohms

► Mechanical Data

Dimensions	140×40×26mm
Connectors	SMA-Female
Surface Finish	Black Painted

► Environmental Data

Operating Temperature	-30℃~+70℃
Storage Temperature	-55℃~+85℃



DRAWN: L. Ma 17/05/24		
ENGINEER: J. Zhu 17/05/24		
APPROVED: C. Chen 17/05/24		
TOLERANCE UNLESS OTHERWISE SPECIFIED		
x	±0.50	[0.019"]
.x	±0.20	[0.008"]
.xx	±0.10	[0.004"]
ANGLES	±1°	

TITLE:

Band Reject Filter,
1.88~1.92GHz, Stop
Band Rejection 40dB,
10W, SMA-Female

PART No.:

TRF-01880192-40S



www.titan-microwave.com



DIMENSIONS IN MILLIMETERS(mm)

SIZE:
A4

SCALE:

SHEET:
1/1

REV:
A

Notes:

- ALL SPECIFICATIONS ARE SUBJECT TO CHANGE WITHOUT NOTICE AT ANY TIME
- CUSTOMER OUTLINE DRAWING FOR REFERENCE ONLY