

REV	DESCRIPTION OF REVISION	By	DATE	APPROVED
A	INITIAL RELEASE	C. Cai	2024/5/17	C. Chen

TECHNICAL DATA

► Electrical Data

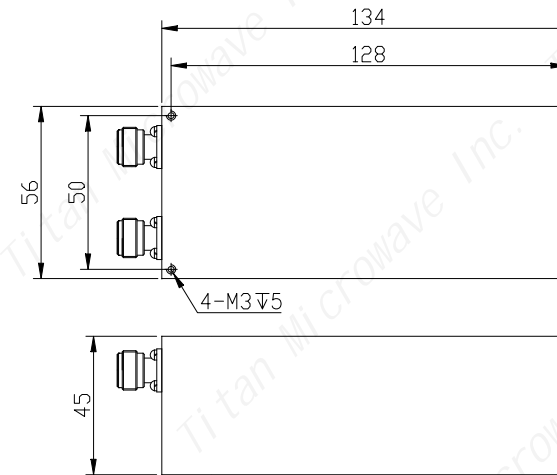
Stop Band Frequency	1805~1880MHz
Stop Band Attenuation	≥60dB
Pass Band Frequency	DC~1785MHz & 1900~6000MHz
Pass Band Insertion Loss	≤2.0dB
Pass Band VSWR	≤2.0:1
Power Handling	100W
Impedance	50 Ohms

► Mechanical Data

Dimensions	134×56×45mm
Connectors	N-Female
Surface Finish	Black Painted

► Environmental Data

Operating Temperature	-30℃~+70℃
Storage Temperature	-55℃~+85℃



DRAWN: L. Ma 17/05/24		
ENGINEER: J. Zhu 17/05/24		
APPROVED: C. Chen 17/05/24		
TOLERANCE UNLESS OTHERWISE SPECIFIED		
x	±0.50	[0.019"]
.x	±0.20	[0.008"]
.xx	±0.10	[0.004"]
ANGLES	±1°	

TITLE:
Band Reject Filter,
1.805~1.88GHz, Stop
Band Rejection 60dB,
100W, N-Female

PART No.:
TRF-01800188-60N



www.titan-microwave.com



DIMENSIONS IN MILLIMETERS(mm)

SIZE: A4	SCALE:	SHEET: 1/1	REV: A
-------------	--------	---------------	-----------

Notes:

- ALL SPECIFICATIONS ARE SUBJECT TO CHANGE WITHOUT NOTICE AT ANY TIME
- CUSTOMER OUTLINE DRAWING FOR REFERENCE ONLY