

REV	DESCRIPTION OF REVISION	By	DATE	APPROVED
A	INITIAL RELEASE	C. Cai	2024/5/17	C. Chen

## TECHNICAL DATA

### ► Electrical Data

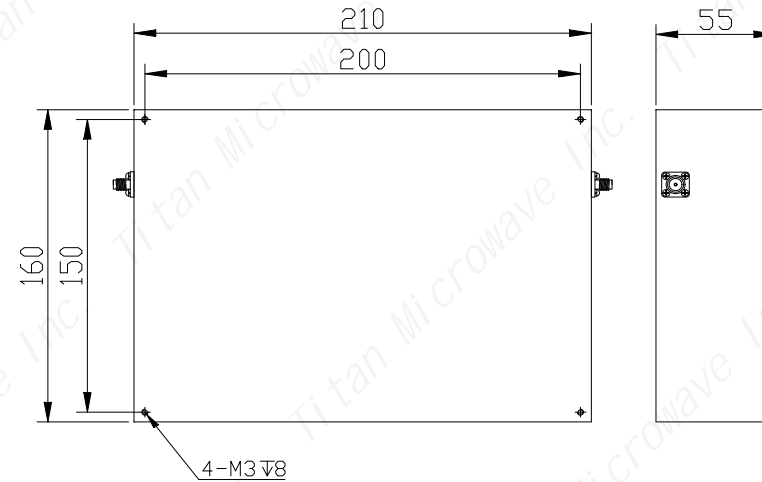
Stop Band Frequency	400~600MHz
Stop Band Attenuation	≥60dB
Pass Band Frequency	DC~390MHz & 480~1500MHz
Pass Band Insertion Loss	≤2.0dB
Pass Band VSWR	≤2.0:1
Power Handling	100W
Impedance	50 Ohms


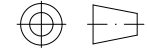
### ► Mechanical Data

Dimensions	210×160×55mm
Connectors	SMA-Female
Surface Finish	Black Painted

### ► Environmental Data

Operating Temperature	-30℃~+70℃
Storage Temperature	-55℃~+85℃



DRAWN: L. Ma 17/05/24	<b>TITLE:</b> Band Reject Filter, 400~600MHz, Stop Band Rejection 60dB, 100W, SMA-Female	 成都巨人微波 <b>TITAN MICROWAVE INC.</b> - A Professional RF & Microwave Components Supplier - <a href="http://www.titan-microwave.com">www.titan-microwave.com</a>															
ENGINEER: J. Zhu 17/05/24																	
APPROVED: C. Chen 17/05/24		<b>PART No.:</b> TRF-400M600M-60S	 DIMENSIONS IN MILLIMETERS(mm)														
TOLERANCE UNLESS OTHERWISE SPECIFIED <table> <tr> <td>x</td> <td>±0.50</td> <td>[0.019"]</td> </tr> <tr> <td>.x</td> <td>±0.20</td> <td>[0.008"]</td> </tr> <tr> <td>.xx</td> <td>±0.10</td> <td>[0.004"]</td> </tr> <tr> <td>ANGLES</td> <td>±1°</td> <td></td> </tr> </table>			x	±0.50	[0.019"]	.x	±0.20	[0.008"]	.xx	±0.10	[0.004"]	ANGLES	±1°		<b>SIZE:</b> A4	<b>SCALE:</b>	<b>SHEET:</b> 1/1
x	±0.50	[0.019"]															
.x	±0.20	[0.008"]															
.xx	±0.10	[0.004"]															
ANGLES	±1°																

#### Notes:

- ALL SPECIFICATIONS ARE SUBJECT TO CHANGE WITHOUT NOTICE AT ANY TIME
- CUSTOMER OUTLINE DRAWING FOR REFERENCE ONLY