

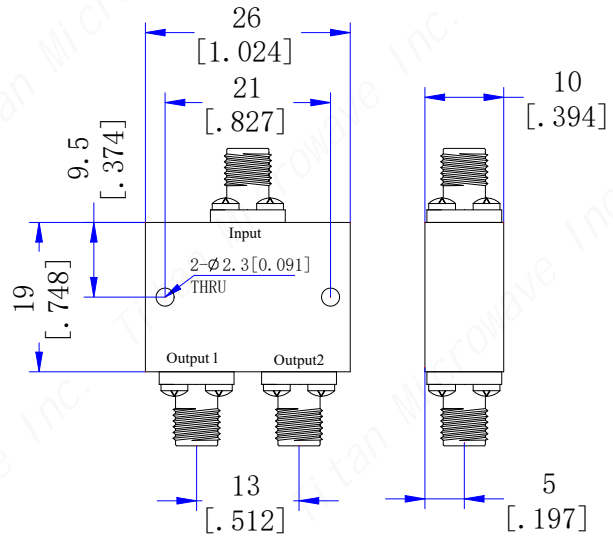
**TMPD2-34503550-20K**

**34.5 to 35.5 GHz, 20W, 2.92mm-Female  
2-WAY POWER DIVIDER**

**Electrical Characteristics**

<b>Frequency Range</b> .....	34.5~35.5GHz
<b>Insertion Loss</b> .....	0.7dB max (excluding theoretical insertion loss 3.0dB)
<b>Amplitude Balance</b> .....	±0.3dB max
<b>Phase Balance</b> .....	±4° max
<b>VSWR(input port)</b> .....	1.4:1 max
<b>VSWR(output ports)</b> .....	1.4:1 max
<b>Isolation</b> .....	20dB min
<b>Impedance</b> .....	50 Ohms
<b>Power Handling</b> .....	20W(as a splitter)
<b>Power Handling</b> .....	1W(as a combiner)

**Outline Drawing(mm[inch])**



**Mechanical & Environmental Characteristics**

<b>Dimensions</b> .....	26 × 19 × 10mm
<b>RF Connectors</b> .....	2.92mm-Female
<b>Surface Finishing</b> .....	Black/Blue/Gray Paint
<b>Operating Temperature</b> .....	-40°C~+85°C
<b>Storage Temperature</b> .....	-50°C~+105°C