

REV	DESCRIPTION OF REVISION	By	DATE	APPROVED
A	INITIAL RELEASE	C. Cai	2022/4/16	C. Chen

TECHNICAL DATA

Electrical Data

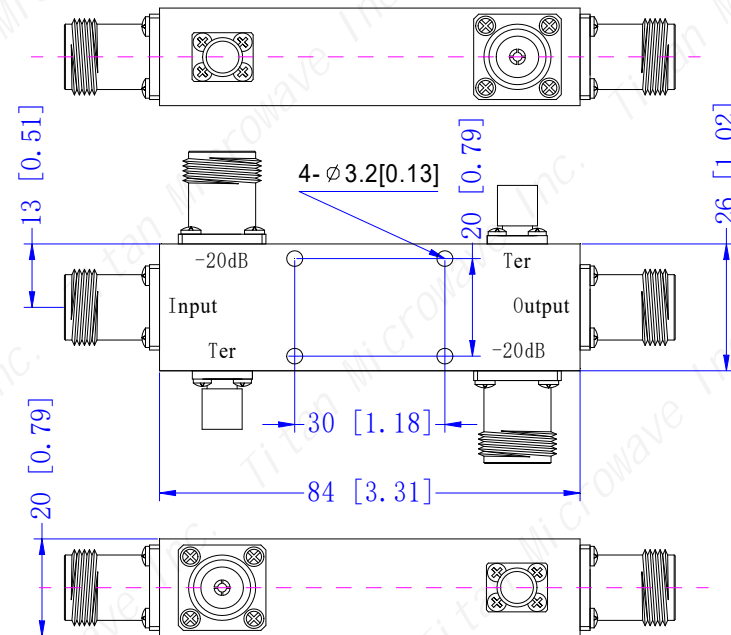
Frequency Range	1-4GHz
Insertion Loss	≤1.2dB(including theoretical loss 0.5dB)
VSWR Primary	≤1.3
VSWR Secondary	≤1.3
Directivity	≥15dB
Nominal Coupling	20±1.0dB
Impedance	50 Ohms
Power Rating	30W

Mechanical Data

Dimensions	84×26×20mm
Input Connector	N-Female
Output Connector	N-Female
Surface Finishing	Sandblasting Natural Color Conductive Oxidation

Environmental Data

Operating Temperature	-40℃~+70℃
-----------------------	-----------



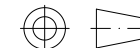
DRAWN: L. Ma 16/04/22		
ENGINEER: J. Zhu 16/04/22		
APPROVED: C. Chen 16/04/22		
TOLERANCE UNLESS OTHERWISE SPECIFIED		
x	±0.50	[0.019"]
.x	±0.20	[0.008"]
.xx	±0.10	[0.004"]
ANGLES	±1°	

TITLE:
Dual Directional Coupler,
1~4GHz, Coupling 20dB,
30W. N-Female

PART No.:
TDDC-01000400-20N30



www.titan-microwave.com



DIMENSIONS IN MILLIMETERS(mm)

SIZE: A4	SCALE:	SHEET: 1/1	REV: A
--------------------	---------------	----------------------	------------------

Notes:

- ALL SPECIFICATIONS ARE SUBJECT TO CHANGE WITHOUT NOTICE AT ANY TIME
- CUSTOMER OUTLINE DRAWING FOR REFERENCE ONLY