

REV	DESCRIPTION OF REVISION	By	DATE	APPROVED
A	INITIAL RELEASE	C. Cai	2022/12/21	C. Chen

## TECHNICAL DATA

### ► Electrical Data

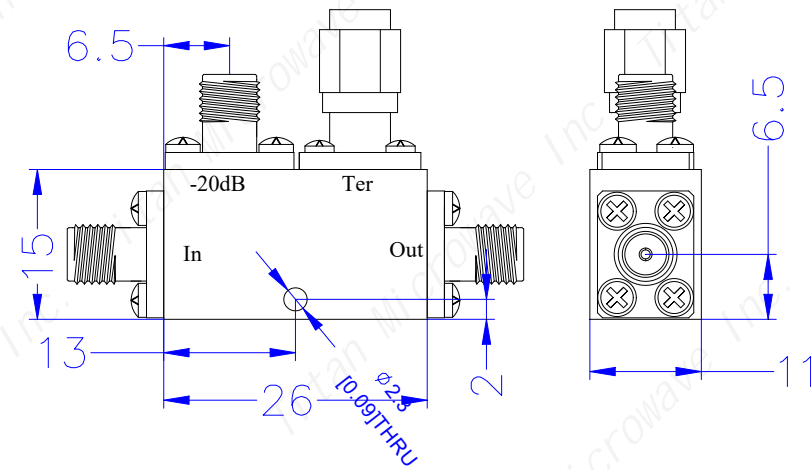
Frequency Range	34-50GHz
Nominal Coupling	20±1.5dB
Frequency Sensitivity	±0.9dB max
Insertion Loss	2.5dB max
VSWR	1.8 max
Directivity	10dB min
Impedance	50 Ohms
Average Power	30W

### ► Mechanical Data

Input/Output Connectors	2.4mm-Female
Dimensions	26×15×11mm

### ► Environmental Data

Operating Temperature	-40℃~+85℃
-----------------------	-----------



DRAWN: L. Ma 21/12/22		
ENGINEER: J. Zhu 21/12/22		
APPROVED: C. Chen 21/12/22		
TOLERANCE UNLESS OTHERWISE SPECIFIED		
x	±0.50	[0.019"]
.x	±0.20	[0.008"]
.xx	±0.10	[0.004"]
ANGLES	±1°	

#### TITLE:

Directional Coupler, 34-50GHz, Coupling 20dB, 30W, 2.4mm-Female

#### PART No.:

TMDC-34005000-20430



[www.titan-microwave.com](http://www.titan-microwave.com)



DIMENSIONS IN MILLIMETERS(mm)

SIZE:  
A4

SCALE:

SHEET:  
1/1

REV:  
A

#### Notes:

- ALL SPECIFICATIONS ARE SUBJECT TO CHANGE WITHOUT NOTICE AT ANY TIME
- CUSTOMER OUTLINE DRAWING FOR REFERENCE ONLY