

REV	DESCRIPTION OF REVISION	By	DATE	APPROVED
A	INITIAL RELEASE	C. Cai	2022/12/21	C. Chen

TECHNICAL DATA

Electrical Data

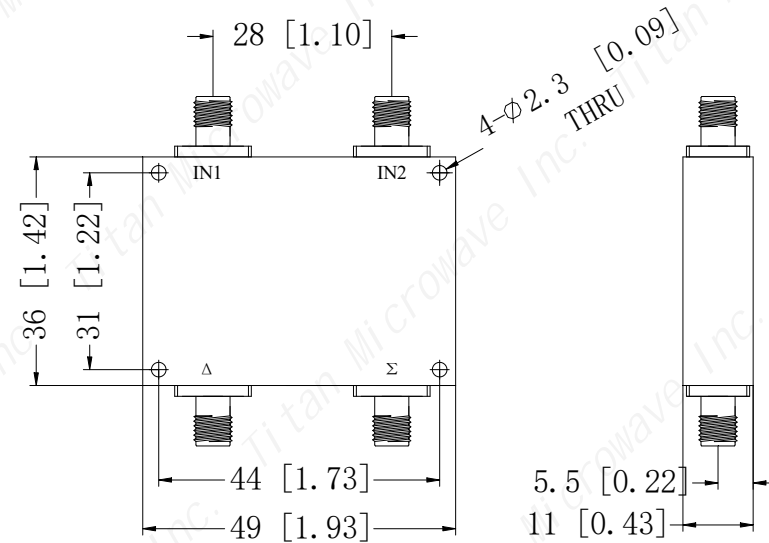
Frequency Range	15.9-16.1GHz
Insertion Loss	1.8dB max
VSWR Primary	1.6 max
VSWR Secondary	1.6 max
Isolation	15dB min
Amplitude Balance	±1.0dB max
Phase Balance	±11°
Impedance	50 Ohms
Power Rating	30W

Mechanical Data

Input/Output Connectors	SMA-Female
Dimensions	49×36×11mm

Environmental Data

Operating Temperature	-40℃~+85℃
-----------------------	-----------



DRAWN: L. Ma 21/12/22		
ENGINEER: J. Zhu 21/12/22		
APPROVED: C. Chen 21/12/22		
TOLERANCE UNLESS OTHERWISE SPECIFIED		

x	±0.50	[0.019"]
.x	±0.20	[0.008"]
.xx	±0.10	[0.004"]
ANGLES	±1°	

TITLE:
3dB 180 Deg. Hybrid
Coupler, 15.9~16.1GHz,
30W, 2.92mm-Female

PART No.:
TMHC180-15901610-30S



www.titan-microwave.com



DIMENSIONS IN MILLIMETERS(mm)

SIZE: A4	SCALE:	SHEET: 1/1	REV: A
--------------------	---------------	----------------------	------------------

Notes:

- ALL SPECIFICATIONS ARE SUBJECT TO CHANGE WITHOUT NOTICE AT ANY TIME
- CUSTOMER OUTLINE DRAWING FOR REFERENCE ONLY