

REV	DESCRIPTION OF REVISION	By	DATE	APPROVED
A	INITIAL RELEASE	C. Cai	2022/12/21	C. Chen

## TECHNICAL DATA

### Electrical Data

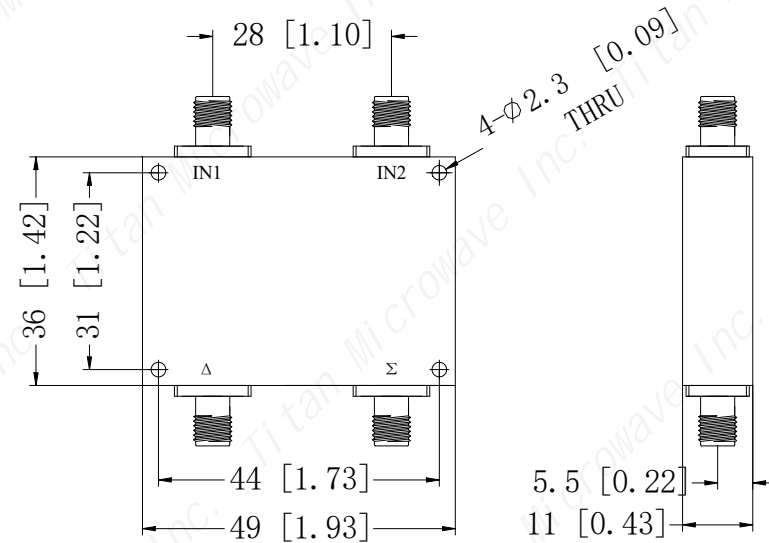
Frequency Range	12-18GHz
Insertion Loss	1.8dB max
VSWR Primary	1.6 max
VSWR Secondary	1.6 max
Isolation	15dB min
Amplitude Balance	±1.0dB max
Phase Balance	±12°
Impedance	50 Ohms
Power Rating	30W

### Mechanical Data

Input/Output Connectors	SMA-Female
Dimensions	49×36×11mm

### Environmental Data

Operating Temperature	-40℃~+85℃
-----------------------	-----------



DRAWN: L. Ma 21/12/22		
ENGINEER: J. Zhu 21/12/22		
APPROVED: C. Chen 21/12/22		
TOLERANCE UNLESS OTHERWISE SPECIFIED		
x	±0.50	[0.019"]
.x	±0.20	[0.008"]
.xx	±0.10	[0.004"]
ANGLES	±1°	

**TITLE:**  
3dB 180 Deg. Hybrid  
Coupler, 12~18GHz,  
30W, 2.92mm-Female



[www.titan-microwave.com](http://www.titan-microwave.com)



DIMENSIONS IN MILLIMETERS(mm)

**PART No.:**  
TMHC180-12001800-30S

**SIZE:**  
A4

**SCALE:**

**SHEET:**  
1/1

**REV:**  
A

#### Notes:

- ALL SPECIFICATIONS ARE SUBJECT TO CHANGE WITHOUT NOTICE AT ANY TIME
- CUSTOMER OUTLINE DRAWING FOR REFERENCE ONLY