

REV	DESCRIPTION OF REVISION	By	DATE	APPROVED
A	INITIAL RELEASE	C. Cai	2022/12/21	C. Chen

## TECHNICAL DATA

### Electrical Data

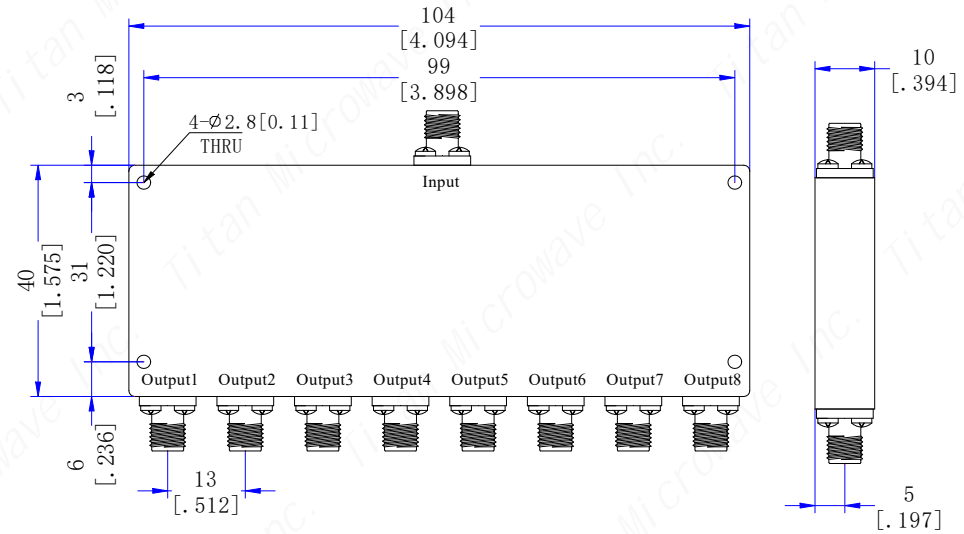
Frequency Range	30-41GHz
Insertion Loss	3.5dB max
(excluding theoretical loss 9.0dB)	
Input Port VSWR	1.38 typ, 1.80 max
Output Port VSWR	1.26 typ, 1.60 max
Isolation	14dB min, 20dB typ
Amplitude Balance	±0.8dB
Phase Balance	±8°
Impedance	50 Ohms
Power Rating	20W(as a splitter)
Power Rating	1W(as a combiner)

### Mechanical Data

Input/Output Connectors	2.92mm-Female
Connector Material	Stainless Steel
Dimensions	104×40×10mm
Surface Finish	Black Painted
Weight	150g

### Environmental Data

Operating Temperature	-55℃~+85℃
-----------------------	-----------



DRAWN: L. Ma 21/12/22		
ENGINEER: J. Zhu 21/12/22		
APPROVED: C. Chen 21/12/22		
TOLERANCE UNLESS OTHERWISE SPECIFIED		
x	±0.50	[0.019"]
.x	±0.20	[0.008"]
.xx	±0.10	[0.004"]
ANGLES	±1°	

**TITLE:**  
Power Divider, 8 Way,  
30~41GHz, 20W,  
2.92mm-Female

**PART No.:**  
TMPD8-30004100-20K

成都巨人微波  
**TITAN MICROWAVE INC.**  
- A Professional RF & Microwave Components Supplier -

[www.titan-microwave.com](http://www.titan-microwave.com)



DIMENSIONS IN MILLIMETERS(mm)

SIZE: A4	SCALE:	SHEET: 1/1	REV: A
-------------	--------	---------------	-----------

#### Notes:

- ALL SPECIFICATIONS ARE SUBJECT TO CHANGE WITHOUT NOTICE AT ANY TIME
- CUSTOMER OUTLINE DRAWING FOR REFERENCE ONLY