

REV	DESCRIPTION OF REVISION	By	DATE	APPROVED
A	INITIAL RELEASE	C. Cai	2022/12/21	C. Chen

TECHNICAL DATA

► Electrical Data

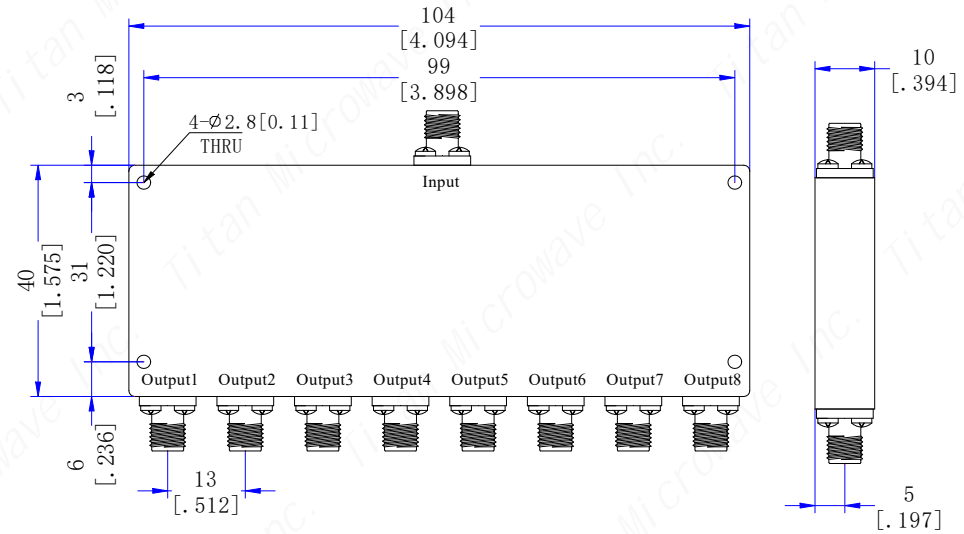
Frequency Range	25-27GHz
Insertion Loss	2.0dB max
(excluding theoretical loss 9.0dB)	
Input Port VSWR	1.60 max
Output Port VSWR	1.50 max
Isolation	16dB min
Amplitude Balance	±0.6dB
Phase Balance	±6°
Impedance	50 Ohms
Power Rating	20W(as a splitter)
Power Rating	1W(as a combiner)

► Mechanical Data

Input/Output Connectors	2.92mm-Female
Connector Material	Passivated Stainless Steel
Dimensions	104×40×10mm
Surface Finish	Black Painted
Weight	138g

► Environmental Data

Operating Temperature	-45℃~+75℃
-----------------------	-----------



Notes:

- ALL SPECIFICATIONS ARE SUBJECT TO CHANGE WITHOUT NOTICE AT ANY TIME
- CUSTOMER OUTLINE DRAWING FOR REFERENCE ONLY

DRAWN: L. Ma 21/12/22		
ENGINEER: J. Zhu 21/12/22		
APPROVED: C. Chen 21/12/22		
TOLERANCE UNLESS OTHERWISE SPECIFIED		
x	±0.50	[0.019"]
.x	±0.20	[0.008"]
.xx	±0.10	[0.004"]
ANGLES	±1°	

TITLE:

Power Divider, 8 Way,
25~27GHz, 20W,
2.92mm-Female

PART No.:

TMPD8-25002700-20K



www.titan-microwave.com



DIMENSIONS IN MILLIMETERS(mm)

SIZE:
A4

SCALE:

SHEET:
1/1

REV:
A