

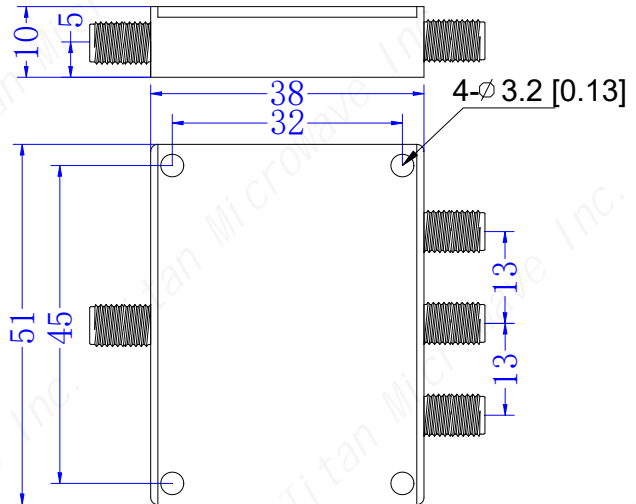
TMPD3-15001800-10S

**15 to 18 GHz, 10W, SMA-Female
3-WAY POWER DIVIDER**

Electrical Characteristics

Frequency Range	15~18GHz
Insertion Loss	1.0dB max (excluding theoretical loss 4.8dB)
Amplitude Balance	±0.5dB max
Phase Balance	±4° max
VSWR(input port)	1.4:1 max
VSWR(output ports)	1.4:1 max
Isolation	20dB min
Impedance	50 Ohms
Power Rating	10W(as a splitter)
Power Rating	1W(as a combiner)

Outline Drawing(mm[inch])



Mechanical & Environmental Characteristics

Dimensions	51 × 38 × 10mm
RF Connectors	SMA-Female
Surface Finishing	Black/Blue/Gray Paint
Operating Temperature	-40°C~+85°C
Storage Temperature	-50°C~+105°C
Weight	55g