

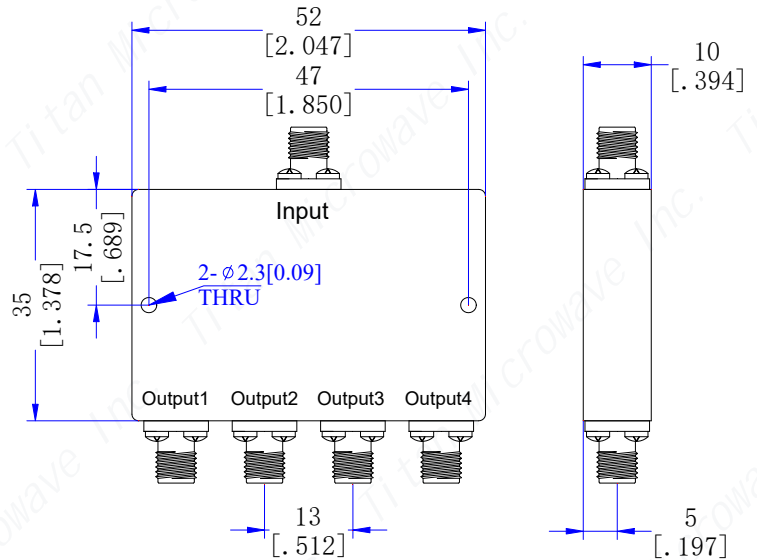
TMPD4-17502150-20S

**17.5 to 21.5 GHz, 20W, SMA-Female
 2-WAY POWER DIVIDER**

Electrical Characteristics

Frequency Range	17.5~21.5GHz
Insertion Loss	1.2dB max (excluding theoretical loss 6.0dB)
Amplitude Balance	±0.4dB
Phase Balance	±4°
VSWR(input port)	1.28 typ, 1.5:1 max
VSWR(output ports)	1.26 typ, 1.5:1 max
Isolation	16dB min, 22dB typ
Impedance	50 Ohms
Power Rating	20W(as a splitter)
Power Rating	1W(as a combiner)

Outline Drawing(mm[inch])



Mechanical & Environmental Characteristics

Dimensions	52 × 35 × 10mm
RF Connectors	SMA-Female
Connectors Material	Stainless Steel
Surface Finishing	Black/Blue/Gray Paint
Operating Temperature	-40°C~+85°C
Storage Temperature	-50°C~+105°C
Weight	70g