

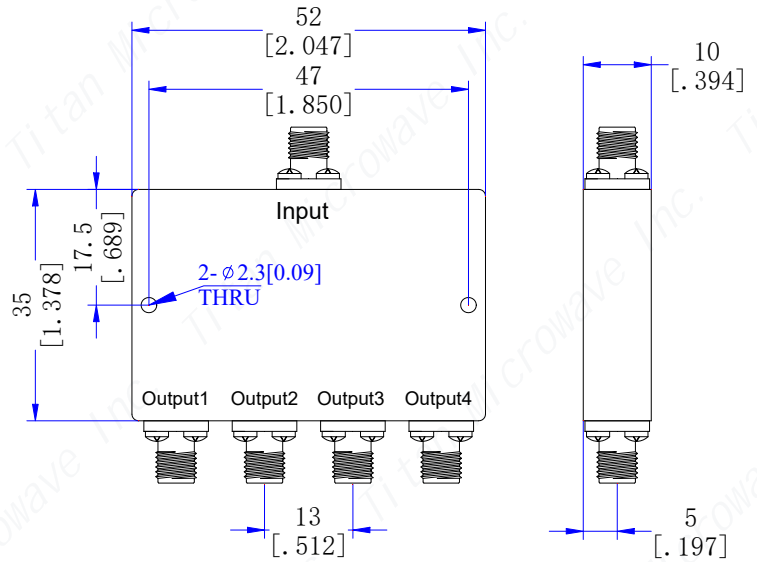
TMPD4-10002000-20S

**10 to 20 GHz, 20W, SMA-Female
 4-WAY POWER DIVIDER**

Electrical Characteristics

Frequency Range 10~20GHz
Insertion Loss 1.0dB max
 (excluding theoretical loss 6.0dB)
Amplitude Balance ± 0.3 dB
Phase Balance $\pm 5^\circ$
VSWR(input port) 1.4:1 max
VSWR(output ports) 1.4:1 max
Isolation 18dB min
Impedance 50 Ohms
Power Rating 20W(as a splitter)
Power Rating 1W(as a combiner)

Outline Drawing(mm[inch])



Mechanical & Environmental Characteristics

Dimensions 52 × 35 × 10mm
RF Connectors SMA-Female
Connectors Material Stainless Steel
Surface Finishing Black/Blue/Gray Paint
Operating Temperature -40°C~+85°C
Storage Temperature -50°C~+105°C
Weight 70g