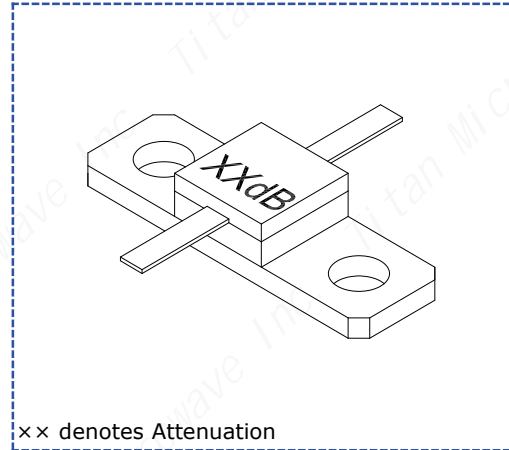


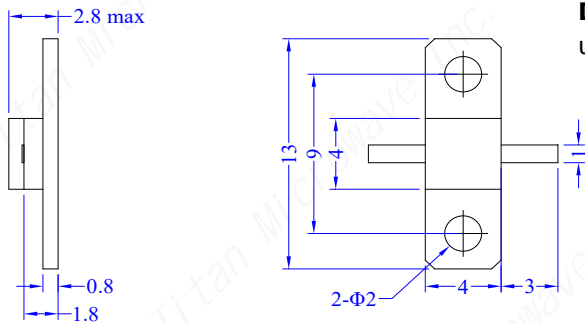
## Flanged Attenuators

### General Specifications

- **Frequency Range:** DC to 3GHz
- **Impedance:** 50 Ohms
- **Rated Power:** 5W
- **VSWR:** 1.20 max
- **Temperature Coefficient:** < 150ppm/°C
- **Substrate Material:** Aluminum Oxide( $Al_2O_3$ )
- **Porcelain Hat Material:** Aluminum Oxide( $Al_2O_3$ )
- **Flange:** Nickel-plated Copper
- **Lead:** 99.99% Sterling Silver
- **Resistance Technology:** Thick Film
- **Operating Temperature:** -55°C ~ +150°C



xx denotes Attenuation



**Dimensions tolerance: 5%**  
 unless otherwise specified

Attenuation Value(dB)	1-10	15, 17, 20	25, 30
Attenuation Deviation from Nominal(dB)	±0.6	±0.8	±1.0

### Ordering Information:

TFMA 1304 - 3 N 5 AM - 10

Titan Microwave  
 Flanged Mount Attenuator

Case Size

Frequency Range

Substrate Material

N: Aluminum Nitride( $AlN$ )  
 A: Aluminum Oxide( $Al_2O_3$ )  
 No Designation for Beryllium Oxide( $BeO$ )

Power Rating(W)

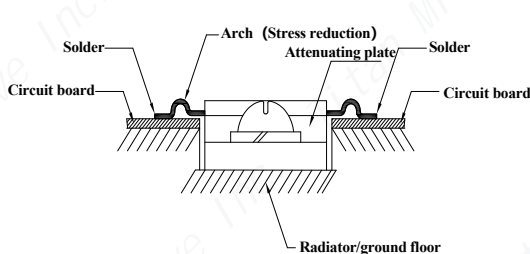
AM: Aluminum cap

AJ: Dielectric cap

dB value

(See Above Chart for Available Values)

### Installation Method



### Derating Curve

