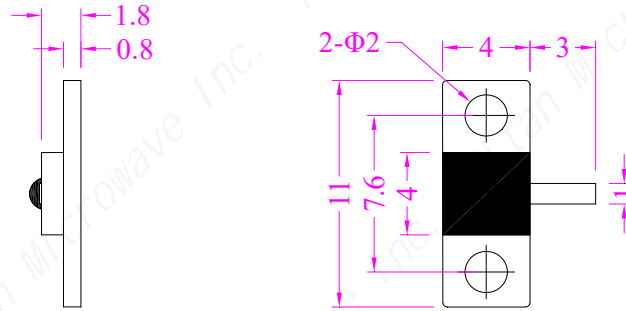
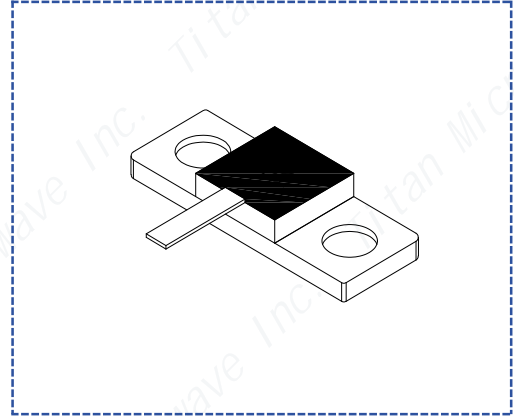


Flanged Termination

General Specifications

- **Frequency Range:** DC to 6GHz
- **Nominal Impedance:** 50 Ohms
- **Resistance Tolerance:** $\pm 5\%$
- **VSWR:** 1.25 max
- **Power:** 20W
- **Temperature Coefficient:** $< 150\text{ppm}/^\circ\text{C}$
- **Substrate Material:** Aluminum Nitride(AIN)
- **Flange:** Nickel-plated Copper
- **Lead:** 99.99% Sterling Silver
- **Resistance Technology:** Thick Film
- **Operating Temperature:** $-55^\circ\text{C} \sim +150^\circ\text{C}$

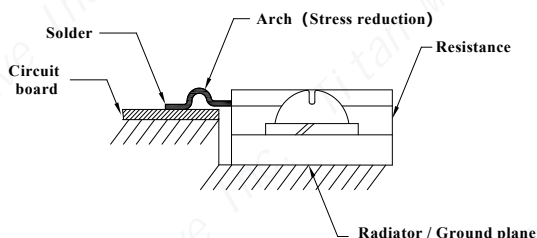


Dimensions tolerance: 5%
 unless otherwise specified

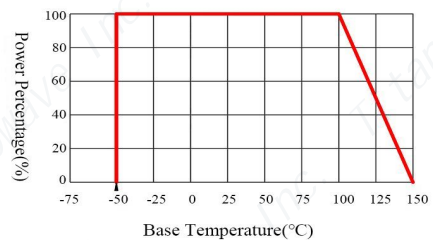
Ordering Information:

	<u>TFMT</u>	<u>1104E</u>	<u>-</u>	<u>6</u>	<u>N</u>	<u>20</u>	<u>TJ</u>	<u>2</u>
Titan Microwave Flanged Mount Termination								
Case Size								
Frequency Range(GHz)								
Substrate Material N: Aluminum Nitride(AIN)								
Power Rating(W)								
TJ: Dielectric Cap								
DC Resistance Tolerance No Designation for $\pm 5\%$ 2= $\pm 2\%$; 1= $\pm 1\%$								

Installation Method



Derating Curve



Actual performance could be limited by the solder properties of the application