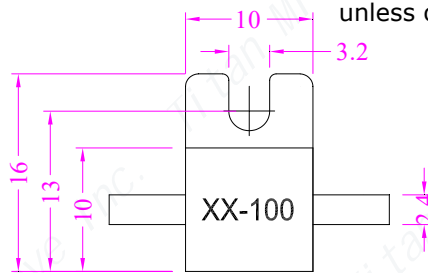
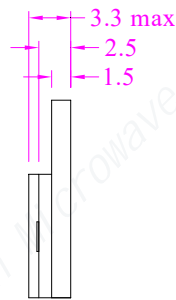
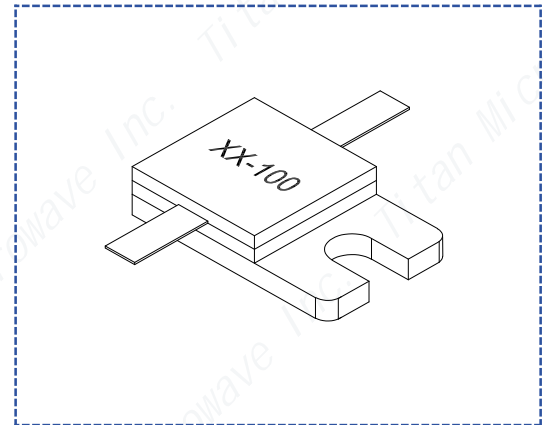


## Flanged Resistor

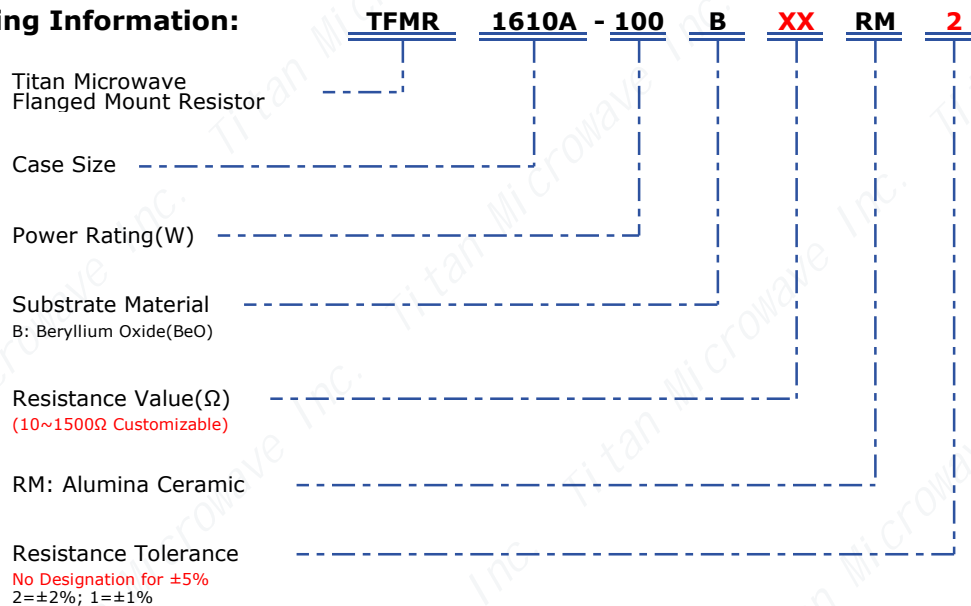
### General Specifications

- **Power:** 100W
- **Resistance Range:** 10~1500 Ohms
- **Resistance Tolerance:** ±5% standard, 1% and 2% available
- **Capacitance:** 5.6PF@100Ω
- **Temperature Coefficient:** <150ppm/°C
- **Substrate Material:** Beryllium Oxide(BeO)
- **Cover Material:** Aluminum Oxide(Al<sub>2</sub>O<sub>3</sub>)
- **Flange Material:** Brass
- **Lead:** Silver-plated Copper
- **Resistance Technology:** Thick Film
- **Operating Temperature:** -55°C~+150°C

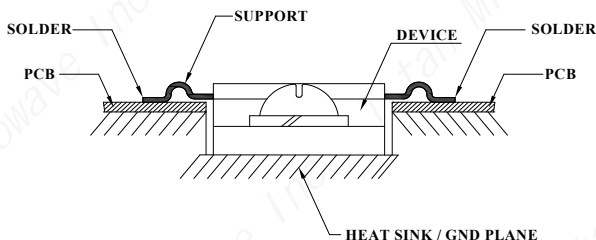


**Dimensions tolerance: 5%**  
 unless otherwise specified

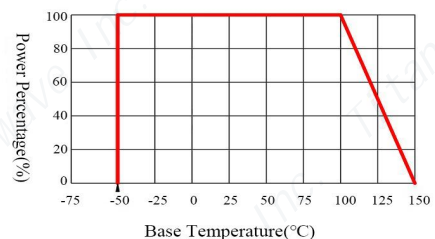
### Ordering Information:



### Installation Method



### Derating Curve



Actual performance could be limited by the solder properties of the application