

REV	DESCRIPTION OF REVISION	By	DATE	APPROVED
A	INITIAL RELEASE	C. Cai	2022/12/21	C. Chen

## TECHNICAL DATA

### ► Electrical Data

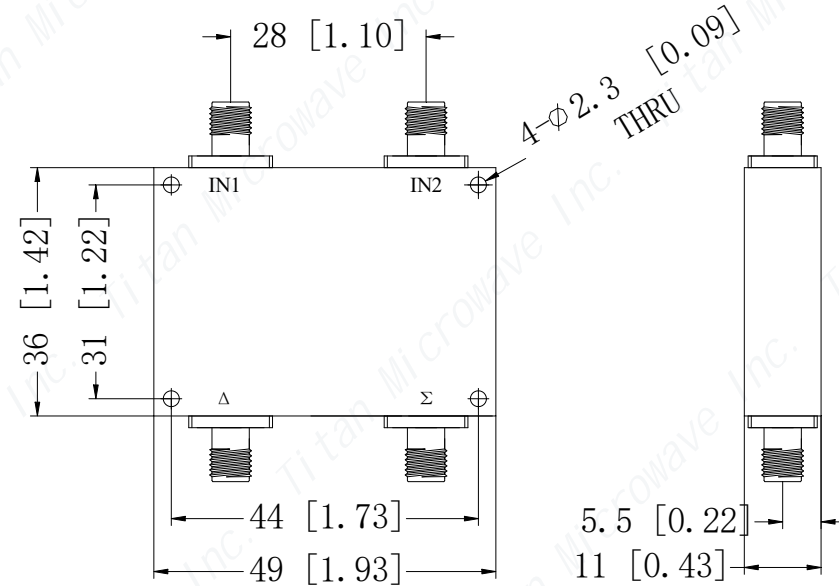
Frequency Range	8~12GHz
Insertion Loss	1.8dB max
VSWR Primary	1.6 max
VSWR Secondary	1.6 max
Directivity	15dB min
Frequency Sensitivity	±1.0dB
Phase Balance	±10°
Impedance	50 Ohms
Power Rating	30W

### ► Mechanical Data

Input/Output Connectors	SMA-Female
Dimensions	49×36×11mm
Surface Finish	Black Painted

### ► Environmental Data

Operating Temperature	-45℃~+85℃
-----------------------	-----------



DRAWN: L. Ma 21/12/22		
ENGINEER: J. Zhu 21/12/22		
APPROVED: C. Chen 21/12/22		
TOLERANCE UNLESS OTHERWISE SPECIFIED		
x	±0.50	[0.019"]
.x	±0.20	[0.008"]
.xx	±0.10	[0.004"]
ANGLES	±1°	

**TITLE:**  
3dB 180 Deg. Hybrid  
Coupler, 8~12GHz, 30W,  
SMA-Female

**PART No.:**  
TMHC180-08001200-30S

成都巨人微波  
**TITAN MICROWAVE INC.**  
- A Professional RF & Microwave Components Supplier -

[www.titan-microwave.com](http://www.titan-microwave.com)



DIMENSIONS IN MILLIMETERS(mm)

<b>SIZE:</b> A4	<b>SCALE:</b>	<b>SHEET:</b> 1/1	<b>REV:</b> A
--------------------	---------------	----------------------	------------------

#### Notes:

- ALL SPECIFICATIONS ARE SUBJECT TO CHANGE WITHOUT NOTICE AT ANY TIME
- CUSTOMER OUTLINE DRAWING FOR REFERENCE ONLY