

REV	DESCRIPTION OF REVISION	By	DATE	APPROVED
A	INITIAL RELEASE	C. Cai	2022/12/21	C. Chen

TECHNICAL DATA

► Electrical Data

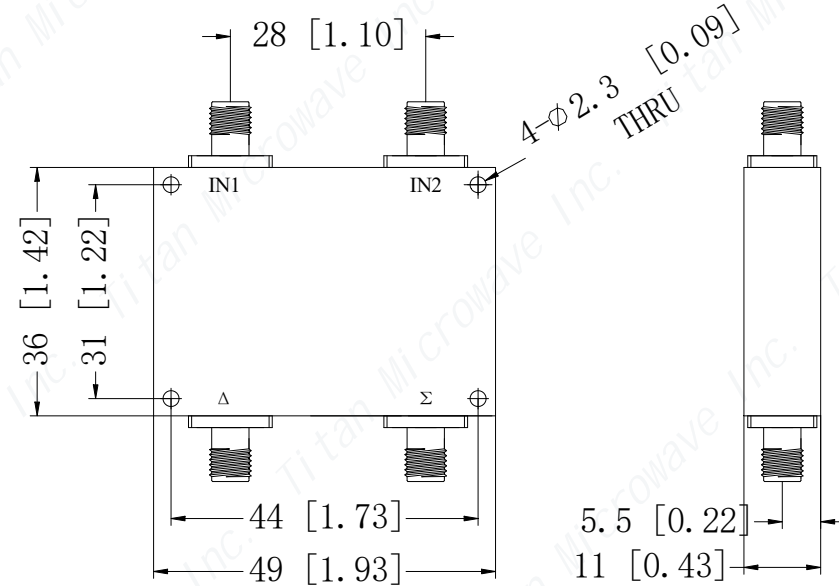
Frequency Range	4~12.4GHz
Insertion Loss	1.8dB max
VSWR Primary	1.6 max
VSWR Secondary	1.6 max
Directivity	15dB min
Frequency Sensitivity	±1.0dB
Phase Balance	±12°
Impedance	50 Ohms
Power Rating	30W

► Mechanical Data

Input/Output Connectors	SMA-Female
Dimensions	49×36×11mm
Surface Finish	Black Painted

► Environmental Data

Operating Temperature	-45℃~+85℃
-----------------------	-----------



Notes:

- ALL SPECIFICATIONS ARE SUBJECT TO CHANGE WITHOUT NOTICE AT ANY TIME
- CUSTOMER OUTLINE DRAWING FOR REFERENCE ONLY

DRAWN: L. Ma 21/12/22
ENGINEER: J. Zhu 21/12/22
APPROVED: C. Chen 21/12/22
TOLERANCE UNLESS OTHERWISE SPECIFIED

x	±0.50	[0.019"]
.x	±0.20	[0.008"]
.xx	±0.10	[0.004"]
ANGLES	±1°	

TITLE:
3dB 180 Deg. Hybrid
Coupler, 4~12.4GHz,
30W, SMA-Female

PART No.:
TMHC180-04001240-30S

成都巨人微波
TITAN MICROWAVE INC.
- A Professional RF & Microwave Components Supplier -

www.titan-microwave.com



DIMENSIONS IN MILLIMETERS(mm)

SIZE: A4	SCALE:	SHEET: 1/1	REV: A
-------------	--------	---------------	-----------