

REV	DESCRIPTION OF REVISION	By	DATE	APPROVED
A	INITIAL RELEASE	C. Cai	2022/12/21	C. Chen

## TECHNICAL DATA

### Electrical Data

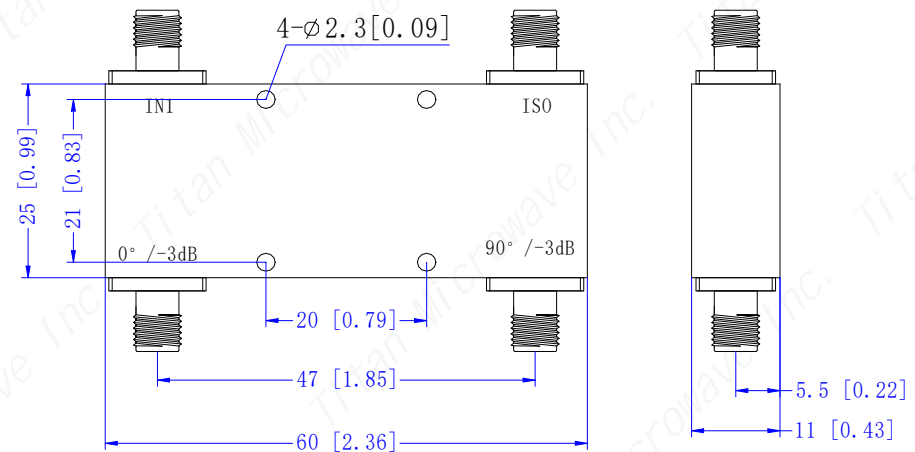
Frequency Range	2~8GHz
Insertion Loss	0.6dB max
VSWR	1.30:1 max
Isolation	25dB min
Amplitude Balance	±0.5dB max
Phase Balance	±5°
Impedance	50 Ohms
Power Rating(CW)	50W

### Mechanical Data

Input/Output Connectors	SMA-Female
Dimensions	60×25×11mm
Surface Finish	Black Painted

### Environmental Data

Operating Temperature	-45℃~+85℃
-----------------------	-----------



DRAWN: L. Ma 21/12/22		
ENGINEER: J. Zhu 21/12/22		
APPROVED: C. Chen 21/12/22		
TOLERANCE UNLESS OTHERWISE SPECIFIED		
x	±0.50	[0.019"]
.x	±0.20	[0.008"]
.xx	±0.10	[0.004"]
ANGLES	±1°	

**TITLE:**  
3dB 90 Deg. Hybrid  
Coupler, 2~8GHz, 50W,  
SMA-Female

**PART No.:**  
TMHC90-02000800-50S



[www.titan-microwave.com](http://www.titan-microwave.com)



DIMENSIONS IN MILLIMETERS(mm)

SIZE: A4	SCALE:	SHEET: 1/1	REV: A
-------------	--------	---------------	-----------

#### Notes:

- ALL SPECIFICATIONS ARE SUBJECT TO CHANGE WITHOUT NOTICE AT ANY TIME
- CUSTOMER OUTLINE DRAWING FOR REFERENCE ONLY