

REV	DESCRIPTION OF REVISION	By	DATE	APPROVED
A	INITIAL RELEASE	C. Cai	2022/12/21	C. Chen

TECHNICAL DATA

► Electrical Data

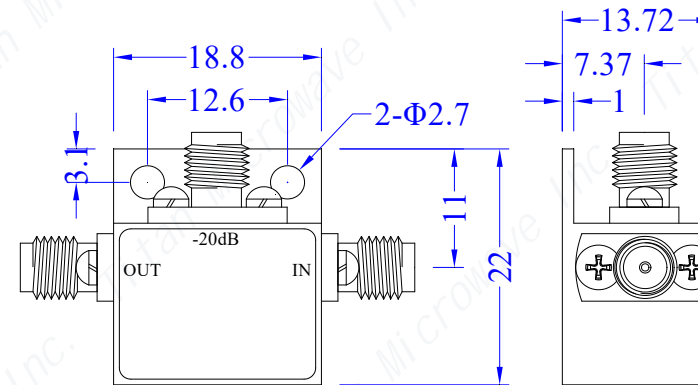
Frequency Range	5~1000MHz
Nominal Coupling	19dB min, 20dB typ, 20.6dB max
Insertion Loss	0.7dB typ, 0.9dB max
Main Line VSWR	1.2 max
Coupled Line VSWR	1.2 max
Directivity	11dB min, 15dB typ
Impedance	50 Ohms
Average Power	2W(design assurance)

► Mechanical Data

Input/Output Connectors	SMA-Female
Connectors Material	Stainless Steel
Body Material	Aluminum 6061
Surface Finish	Nickel Plated
Dimensions	22×18.8×13.72mm
Equivalent Part	ZX30-20-4-S+


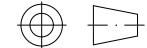
► Environmental Data

Operating Temperature	-40℃~+85℃(design assurance)
Storage Temperature	-55℃~+100℃(design assurance)



Notes:

- ALL SPECIFICATIONS ARE SUBJECT TO CHANGE WITHOUT NOTICE AT ANY TIME
- CUSTOMER OUTLINE DRAWING FOR REFERENCE ONLY

DRAWN: L. Ma 21/12/22	TITLE: Directional Coupler, 5-1000MHz, Coupling 20dB, 2W, SMA-Female	 成都巨人微波 TITAN MICROWAVE INC. - A Professional RF & Microwave Components Supplier - www.titan-microwave.com					
ENGINEER: J. Zhu 21/12/22							
APPROVED: C. Chen 21/12/22		 DIMENSIONS IN MILLIMETERS(mm)					
TOLERANCE UNLESS OTHERWISE SPECIFIED		PART No.:	SIZE:	SCALE:	SHEET:	REV:	
x	±0.50	[0.019"]	TMDC-000050100-20S2	A4		1/1	A
.x	±0.20	[0.008"]					
.xx	±0.10	[0.004"]					
ANGLES	±1°						