

REV	DESCRIPTION OF REVISION	By	DATE	APPROVED
A	INITIAL RELEASE	C. Cai	2022/12/21	C. Chen

TECHNICAL DATA

► Electrical Data

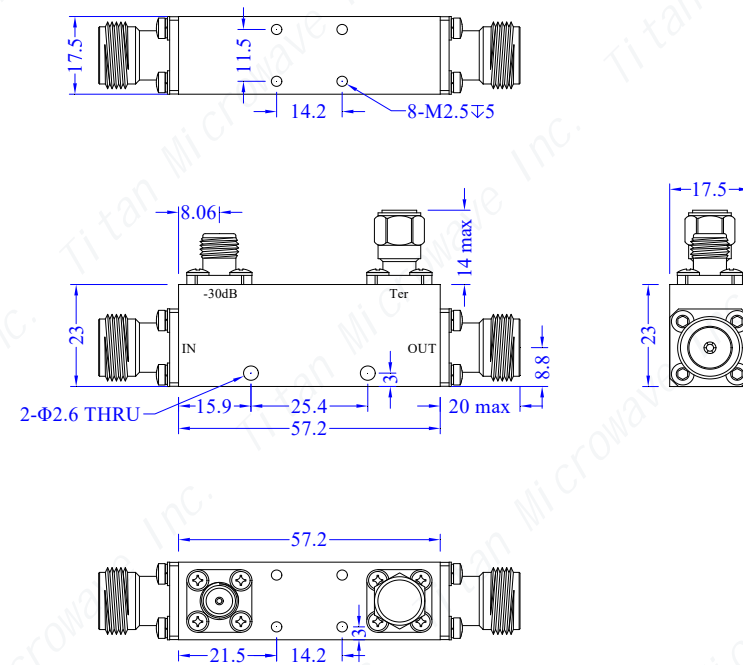
Frequency Range	2~18GHz
Nominal Coupling	30±1.0dB max
Insertion Loss	0.8dB max
Main Line VSWR	1.35 max
Coupled Line VSWR	1.6 max
Isolation	45dB typ
Impedance	50 Ohms
Average Power	100W

► Mechanical Data

Input/Output Connectors	N-Female
Coupled Port	50Ω Load
Surface Finish	Conductive Oxidation
Dimensions	57.2×23×1.75mm

► Environmental Data

Operating Temperature	-40℃~+85℃(design assurance)
Storage Temperature	-40℃~+100℃(design assurance)



DRAWN: L. Ma 21/12/22		
ENGINEER: J. Zhu 21/12/22		
APPROVED: C. Chen 21/12/22		
TOLERANCE UNLESS OTHERWISE SPECIFIED		
x	±0.50	[0.019"]
.x	±0.20	[0.008"]
.xx	±0.10	[0.004"]
ANGLES	±1°	

TITLE:
Directional Coupler, 2-
18GHz, Coupling 30dB,
100W, N-Female

PART No.:
TMDC-02001800-30N100

成都巨人微波
TITAN MICROWAVE INC.
- A Professional RF & Microwave Components Supplier -

www.titan-microwave.com



DIMENSIONS IN MILLIMETERS(mm)

SIZE: A4	SCALE:	SHEET: 1/1	REV: A
-------------	--------	---------------	-----------

Notes:

- ALL SPECIFICATIONS ARE SUBJECT TO CHANGE WITHOUT NOTICE AT ANY TIME
- CUSTOMER OUTLINE DRAWING FOR REFERENCE ONLY