

| REV | DESCRIPTION OF REVISION | By     | DATE       | APPROVED |
|-----|-------------------------|--------|------------|----------|
| A   | INITIAL RELEASE         | C. Cai | 2022/12/21 | C. Chen  |

## TECHNICAL DATA

### ► Electrical Data

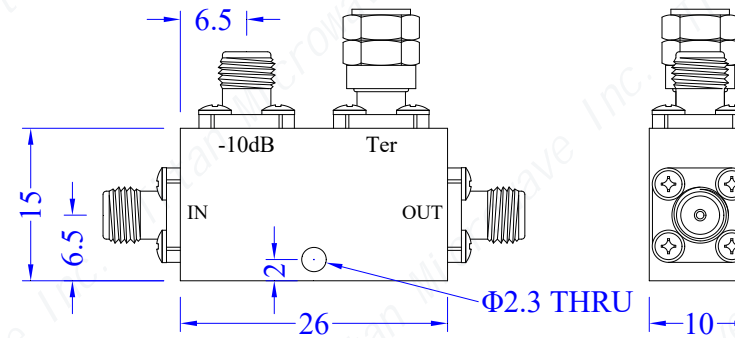
|                   |                   |
|-------------------|-------------------|
| Frequency Range   | 18~50GHz          |
| Nominal Coupling  | 10±1.2dB max      |
| Insertion Loss    | 2.0dB max         |
| Main Line VSWR    | 1.7 max           |
| Coupled Line VSWR | 2.0 max           |
| Directivity       | 8dB min, 10dB typ |
| Impedance         | 50 Ohms           |
| Average Power     | 20W               |

### ► Mechanical Data

|                         |                      |
|-------------------------|----------------------|
| Input/Output Connectors | 2.4mm-Female         |
| Connectors Material     | Stainless Steel      |
| Surface Finish          | Conductive Oxidation |
| Dimensions              | 26×10×15mm           |

### ► Environmental Data

|                       |                             |
|-----------------------|-----------------------------|
| Operating Temperature | -30℃~+70℃(design assurance) |
|-----------------------|-----------------------------|



|                                      |       |          |
|--------------------------------------|-------|----------|
| DRAWN: L. Ma 21/12/22                |       |          |
| ENGINEER: J. Zhu 21/12/22            |       |          |
| APPROVED: C. Chen 21/12/22           |       |          |
| TOLERANCE UNLESS OTHERWISE SPECIFIED |       |          |
| x                                    | ±0.50 | [0.019"] |
| .x                                   | ±0.20 | [0.008"] |
| .xx                                  | ±0.10 | [0.004"] |
| ANGLES                               | ±1°   |          |

**TITLE:**  
Directional Coupler, 18-50GHz, Coupling 10dB, 20W, 2.4mm-Female

**PART No.:**  
TMDC-18005000-10220

成都巨人微波  
**TITAN MICROWAVE INC.**  
- A Professional RF & Microwave Components Supplier -

[www.titan-microwave.com](http://www.titan-microwave.com)



DIMENSIONS IN MILLIMETERS(mm)

|             |        |               |           |
|-------------|--------|---------------|-----------|
| SIZE:<br>A4 | SCALE: | SHEET:<br>1/1 | REV:<br>A |
|-------------|--------|---------------|-----------|

#### Notes:

- ALL SPECIFICATIONS ARE SUBJECT TO CHANGE WITHOUT NOTICE AT ANY TIME
- CUSTOMER OUTLINE DRAWING FOR REFERENCE ONLY