

| REV | DESCRIPTION OF REVISION | By | DATE | APPROVED |
|-----|-------------------------|--------|------------|----------|
| A | INITIAL RELEASE | C. Cai | 2022/12/21 | C. Chen |

TECHNICAL DATA

Electrical Data

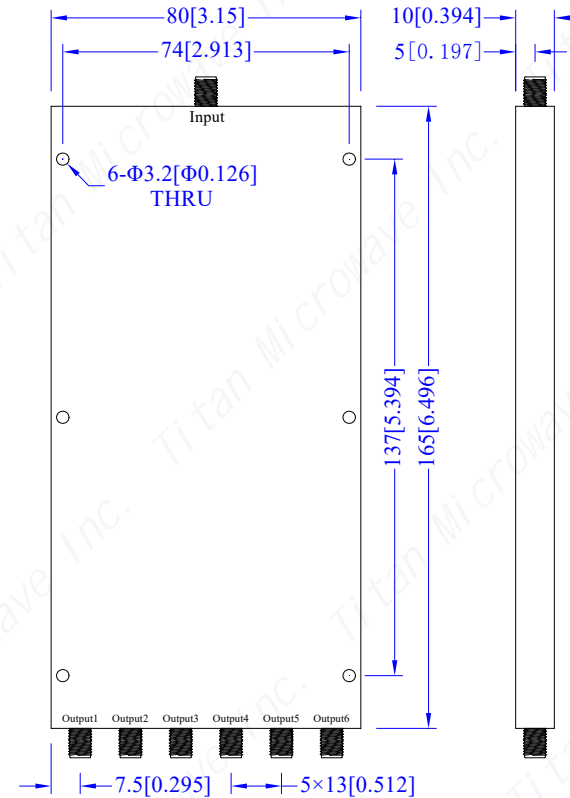
| | |
|------------------------------------|---|
| Frequency Range | 1~12GHz |
| Insertion Loss | 1.8dB typ, 2.5dB max@1~2GHz 2.0dB typ, 2.5dB max@2~12GHz |
| (excluding theoretical loss 7.8dB) | |
| Input Port VSWR | 1.9 typ, 2.2 max@1~2GHz 1.8 typ, 2.0 max@2~12GHz |
| Output Port VSWR | 1.5 typ, 1.6 max@1~12GHz |
| Isolation | 16dB min, 18dB typ |
| Amplitude Balance | ±0.6dB typ, ±0.8dB max |
| Phase Balance | ±6° typ, ±8° max@1~2GHz ±8° typ, ±10° max@2~12GHz |
| Impedance | 50 Ohms |
| Power Rating(forward) | 30W |
| Power Rating(reverse) | 1W |

Mechanical Data

| | |
|-------------------------|-------------------------|
| Input/Output Connectors | SMA-Female |
| Material | Aluminum |
| Dimensions | 165×80×10mm |
| Surface Finish | Black/Gray/Blue Painted |

Environmental Data

| | |
|-----------------------|------------|
| Operating Temperature | -40℃~+85℃ |
| Storage Temperature | -50℃~+105℃ |



Notes:

- ALL SPECIFICATIONS ARE SUBJECT TO CHANGE WITHOUT NOTICE AT ANY TIME
- CUSTOMER OUTLINE DRAWING FOR REFERENCE ONLY

| | | |
|--------------------------------------|-------|----------|
| DRAWN: L. Ma 21/12/22 | | |
| ENGINEER: J. Zhu 21/12/22 | | |
| APPROVED: C. Chen 21/12/22 | | |
| TOLERANCE UNLESS OTHERWISE SPECIFIED | | |
| x | ±0.50 | [0.019"] |
| .x | ±0.20 | [0.008"] |
| .xx | ±0.10 | [0.004"] |
| ANGLES | ±1° | |

TITLE:

Power Divider, 6 Way,
1~12GHz, 30W,
SMA-Female

PART No.:

TMPD6-01001200-30S

成都巨人微波
TITAN MICROWAVE INC.
- A Professional RF & Microwave Components Supplier -

www.titan-microwave.com



DIMENSIONS IN MILLIMETERS(mm)

| | | | |
|-------------|--------|---------------|-----------|
| SIZE: A4 | SCALE: | SHEET: 1/1 | REV: A |
|-------------|--------|---------------|-----------|