

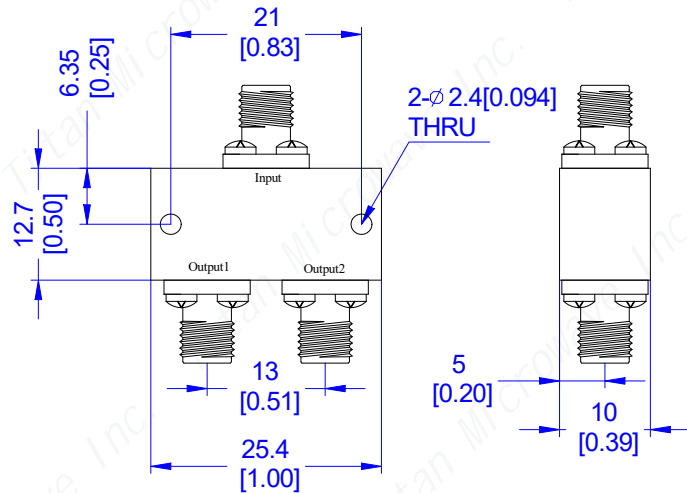
TMPD2-18005500-204

**18 to 55 GHz, 20W, 2.4mm-Female
2-WAY POWER DIVIDER**

Electrical Characteristics

Frequency Range	18~55GHz
Insertion Loss	0.8dB max (excluding theoretical loss 3.0dB)
Amplitude Balance	±0.3dB max
Phase Balance	±6° max
VSWR(input port)	1.5:1 typ, 1.6:1 max
VSWR(output ports)	1.5:1 typ, 1.6:1 max
Isolation	15dB min, 17dB typ
Impedance	50 Ohms
Power Handling	20W(as a splitter) 1W(as a combiner)

Outline Drawing(mm[inch])



Mechanical & Environmental Characteristics

Dimensions	25.4 × 12.7 × 10mm
RF Connectors	2.4mm-Female
Connectors Material	Stainless Steel
Housing Material	Aluminum
Surface Finishing	Black/Blue/Gray Paint
Operating Temperature	-40°C~+85°C
Storage Temperature	-50°C~+105°C