

REV	DESCRIPTION OF REVISION	By	DATE	APPROVED
A	INITIAL RELEASE	C. Cai	2023/7/11	C. Chen

TECHNICAL DATA

► Electrical Data

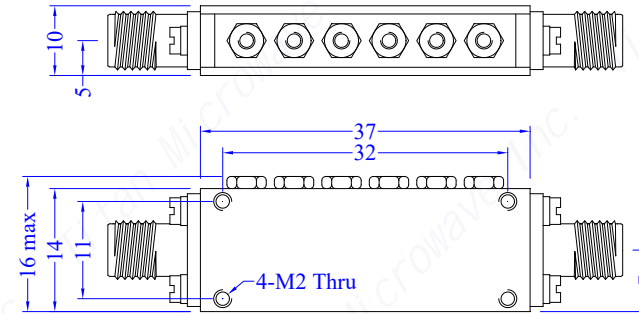
Pass Band Frequency	5700~5900MHz
Pass Band Insertion Loss	≤1.5dB
Pass Band VSWR	≤1.5:1
Stop Band Rejection	≥40dB@DC~5500MHz, ≥50dB@6100~13000MHz
Impedance	50 Ohms
Power Handling	20W(design assurance)

► Mechanical Data

Dimensions	37×14×10mm
Connectors	SMA-Female(stainless steel)
Surface Finish	Silver Plated

► Environmental Data

Operating Temperature	-40℃~+70℃
-----------------------	-----------



DRAWN: L. Ma 11/07/23		
ENGINEER: J. Zhu 11/07/23		
APPROVED: C. Chen 11/07/23		
TOLERANCE UNLESS OTHERWISE SPECIFIED		
x	±0.50	[0.019"]
.x	±0.20	[0.008"]
.xx	±0.10	[0.004"]
ANGLES	±1°	

TITLE:
Band Pass Filter, 5.7-
5.9GHz, Stop Band
Rejection 50dB, 20W,
SMA-Female

PART No.:
TBF-05700590-50S



www.titan-microwave.com



DIMENSIONS IN MILLIMETERS(mm)

SIZE: A4	SCALE:	SHEET: 1/1	REV: A
--------------------	---------------	----------------------	------------------

Notes:

- ALL SPECIFICATIONS ARE SUBJECT TO CHANGE WITHOUT NOTICE AT ANY TIME
- CUSTOMER OUTLINE DRAWING FOR REFERENCE ONLY