

REV	DESCRIPTION OF REVISION	By	DATE	APPROVED
A	INITIAL RELEASE	C. Cai	2022/12/21	C. Chen

TECHNICAL DATA

► Electrical Data

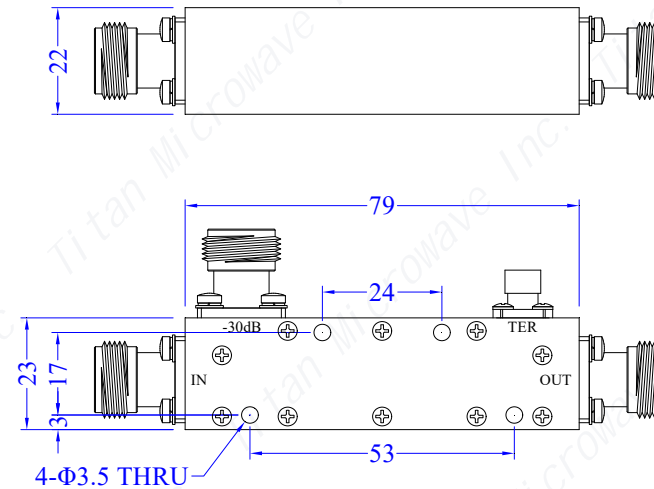
Frequency Range	1~8GHz
Nominal Coupling	30±1.0dB max
Insertion Loss	0.4dB max(including theoretical loss)
VSWR Primary	1.3:1 max
VSWR Secondary	1.3:1 max
Isolation	40dB min
Impedance	50 Ohms
Average Power	50W(design assurance)

► Mechanical Data

Input/Output Connectors	N-Female
Dimensions	79×23×22mm
Surface Finish	Nickel Plated

► Environmental Data

Operating Temperature	-40℃~+70℃
-----------------------	-----------



DRAWN: L. Ma 21/12/22		
ENGINEER: J. Zhu 21/12/22		
APPROVED: C. Chen 21/12/22		
TOLERANCE UNLESS OTHERWISE SPECIFIED		
x	±0.50	[0.019"]
.x	±0.20	[0.008"]
.xx	±0.10	[0.004"]
ANGLES	±1°	

TITLE:
Directional Coupler,
1-8GHz, Coupling 30dB,
50W, N-Female

PART No.:
TMDC-01000800-30N50



www.titan-microwave.com



DIMENSIONS IN MILLIMETERS(mm)

SIZE: A4	SCALE:	SHEET: 1/1	REV: A
-------------	--------	---------------	-----------

Notes:

- ALL SPECIFICATIONS ARE SUBJECT TO CHANGE WITHOUT NOTICE AT ANY TIME
- CUSTOMER OUTLINE DRAWING FOR REFERENCE ONLY