

REV	DESCRIPTION OF REVISION	By	DATE	APPROVED
A	INITIAL RELEASE	C. Cai	2022/12/21	C. Chen

TECHNICAL DATA

► Electrical Data

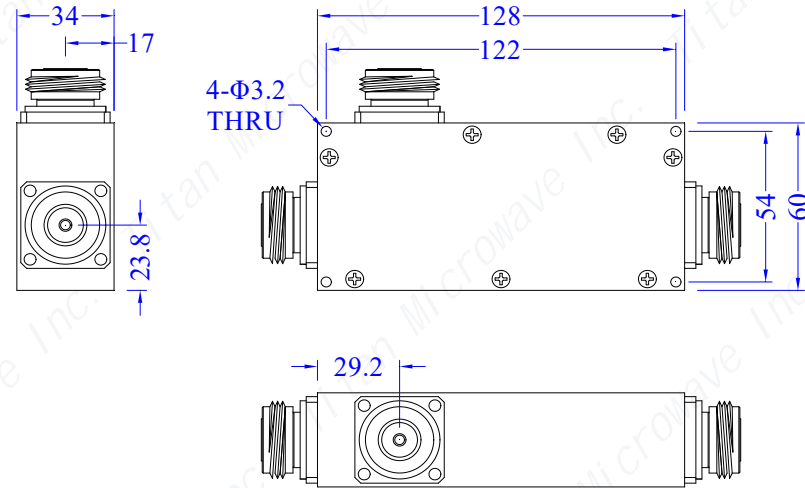
Frequency Range	800~1600MHz
Nominal Coupling	3±0.5dB max
Insertion Loss	3.5dB max
Main Line VSWR	1.3 max
Coupled Line VSWR	1.3 max
Directivity	15dB min
Impedance	50 Ohms
Average Power	1000W

► Mechanical Data

Input/Output Connectors	L29-Female
Housing Material	Aluminum 6061
Surface Finish	Conductive Oxidation
Dimensions	128×60×34mm


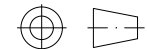
► Environmental Data

Operating Temperature	-40℃~+70℃(design assurance)
-----------------------	-----------------------------



Notes:

- ALL SPECIFICATIONS ARE SUBJECT TO CHANGE WITHOUT NOTICE AT ANY TIME
- CUSTOMER OUTLINE DRAWING FOR REFERENCE ONLY

DRAWN: L. Ma 21/12/22	TITLE: Directional Coupler, 0.8-1.6GHz, Coupling 3dB, 1000W, L29-Female	 成都巨人微波 TITAN MICROWAVE INC. - A Professional RF & Microwave Components Supplier - www.titan-microwave.com		
ENGINEER: J. Zhu 21/12/22				
APPROVED: C. Chen 21/12/22		PART No.: TMDC-00800160-3L1000	 DIMENSIONS IN MILLIMETERS(mm)	
TOLERANCE UNLESS OTHERWISE SPECIFIED				

x	±0.50	[0.019"]
.x	±0.20	[0.008"]
.xx	±0.10	[0.004"]
ANGLES	±1°	