

REV	DESCRIPTION OF REVISION	By	DATE	APPROVED
A	INITIAL RELEASE	C. Cai	2022/12/21	C. Chen

TECHNICAL DATA

► Electrical Data

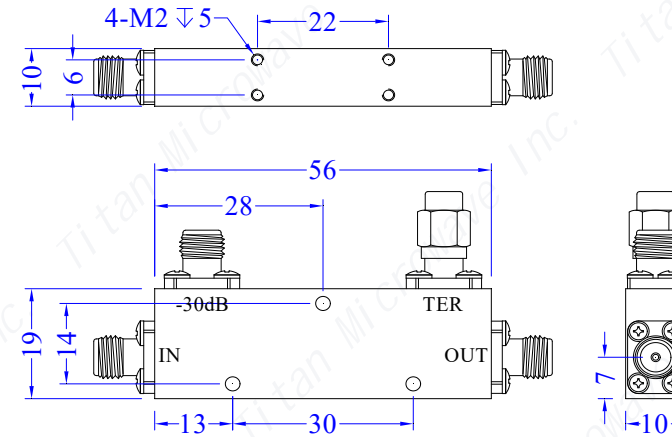
Frequency Range	1000~4000MHz
Nominal Coupling	30±1.2dB max
Insertion Loss	0.15dB typ, 0.4dB max
Main Line VSWR	1.15 typ, 1.25 max
Coupled Line VSWR	1.15 typ, 1.25 max
Directivity	15dB min, 18dB typ
Impedance	50 Ohms
Average Power	50W

► Mechanical Data

Input/Output Connectors	SMA-Female
Housing Material	Aluminum 6061
Surface Finish	Gray Painted
Dimensions	56×19×10mm

► Environmental Data

Operating Temperature	-40℃~+85℃(design assurance)
-----------------------	-----------------------------



DRAWN: L. Ma 21/12/22		
ENGINEER: J. Zhu 21/12/22		
APPROVED: C. Chen 21/12/22		
TOLERANCE UNLESS OTHERWISE SPECIFIED		
x	±0.50	[0.019"]
.x	±0.20	[0.008"]
.xx	±0.10	[0.004"]
ANGLES	±1°	

TITLE:
Directional Coupler, 1-
4GHz, Coupling 30dB,
50W, SMA-Female

PART No.:
TMDC-01000400-30S50A



www.titan-microwave.com



DIMENSIONS IN MILLIMETERS(mm)

SIZE: A4	SCALE:	SHEET: 1/1	REV: A
-------------	--------	---------------	-----------

Notes:

- ALL SPECIFICATIONS ARE SUBJECT TO CHANGE WITHOUT NOTICE AT ANY TIME
- CUSTOMER OUTLINE DRAWING FOR REFERENCE ONLY