

REV	DESCRIPTION OF REVISION	By	DATE	APPROVED
A	INITIAL RELEASE	C. Cai	2022/12/21	C. Chen

TECHNICAL DATA

► Electrical Data

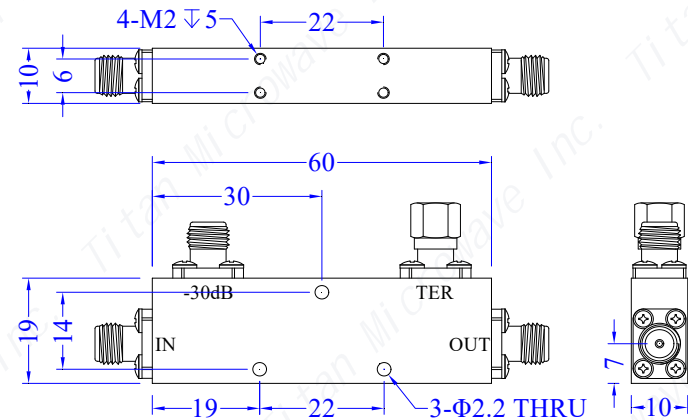
Frequency Range	1000~4000MHz
Nominal Coupling	6±1.2dB max
Insertion Loss	1.6dB typ, 2.0dB max
Main Line VSWR	1.2 typ, 1.3 max
Coupled Line VSWR	1.2 typ, 1.3 max
Directivity	15dB min, 17dB typ
Impedance	50 Ohms
Average Power	50W

► Mechanical Data

Input/Output Connectors	SMA-Female
Housing Material	Aluminum 6061
Surface Finish	Black Painted
Dimensions	60×19×10mm

► Environmental Data

Operating Temperature	-40℃~+85℃(design assurance)
-----------------------	-----------------------------



DRAWN: L. Ma 21/12/22		
ENGINEER: J. Zhu 21/12/22		
APPROVED: C. Chen 21/12/22		
TOLERANCE UNLESS OTHERWISE SPECIFIED		
x	±0.50	[0.019"]
.x	±0.20	[0.008"]
.xx	±0.10	[0.004"]
ANGLES	±1°	

TITLE:

Directional Coupler, 1-4GHz, Coupling 6dB, 50W, SMA-Female

PART No.:

TMDC-01000400-6S50



www.titan-microwave.com



DIMENSIONS IN MILLIMETERS(mm)

SIZE:
A4

SCALE:

SHEET:
1/1

REV:
A

Notes:

- ALL SPECIFICATIONS ARE SUBJECT TO CHANGE WITHOUT NOTICE AT ANY TIME
- CUSTOMER OUTLINE DRAWING FOR REFERENCE ONLY