

REV	DESCRIPTION OF REVISION	By	DATE	APPROVED
A	INITIAL RELEASE	C. Cai	2022/4/16	C. Chen

TECHNICAL DATA

► Electrical Data

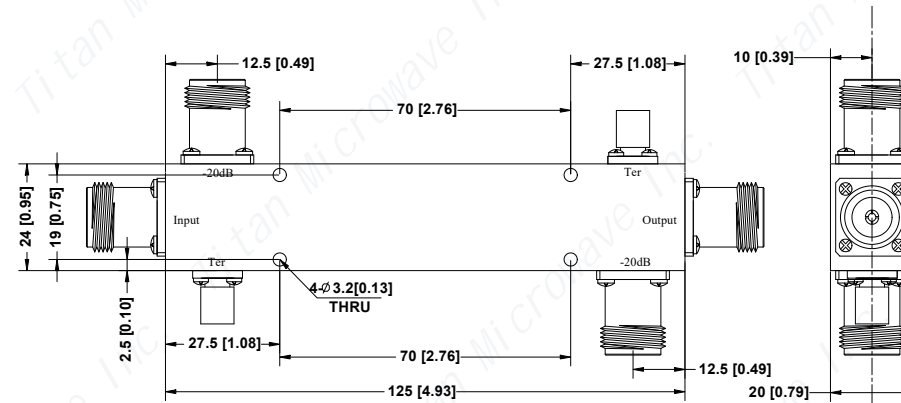
Frequency Range	0.5~18GHz
Nominal Coupling	10±1.0dB
Insertion Loss	2.5dB max
VSWR Primary	1.6:1 typ, 1.7:1 max
VSWR Secondary	1.6:1 typ, 1.7:1 max
Directivity	10dB min, 12dB typ
Frequency Sensitivity	±0.7dB typ, ±1.0dB max
Impedance	50 Ohms
Power Rating	50W

► Mechanical Data

Dimensions	125×24×20mm
Input/Output Connectors	N-Female
Coupled Connector	N-Female
Housing Material	Aluminum 6061
Surface Finishing	Gray Painted

► Environmental Data

Operating Temperature	-40℃~+70℃
Storage Temperature	-50℃~+85℃



Notes:

- ALL SPECIFICATIONS ARE SUBJECT TO CHANGE WITHOUT NOTICE AT ANY TIME
- CUSTOMER OUTLINE DRAWING FOR REFERENCE ONLY

DRAWN: L. Ma 16/04/22		
ENGINEER: J. Zhu 16/04/22		
APPROVED: C. Chen 16/04/22		
TOLERANCE UNLESS OTHERWISE SPECIFIED		
x	±0.50	[0.019"]
.x	±0.20	[0.008"]
.xx	±0.10	[0.004"]
ANGLES	±1°	

TITLE:
Dual Directional Coupler,
0.5~18GHz,
Coupling 10dB, 50W,
N-Female

PART No.:
TDDC-00501800-10N50



www.titan-microwave.com



DIMENSIONS IN MILLIMETERS(mm)

SIZE: A4	SCALE:	SHEET: 1/1	REV: A
--------------------	---------------	----------------------	------------------