

| REV | DESCRIPTION OF REVISION | By | DATE | APPROVED |
|-----|-------------------------|--------|-----------|----------|
| A | INITIAL RELEASE | C. Cai | 2022/4/16 | C. Chen |

TECHNICAL DATA

► Electrical Data

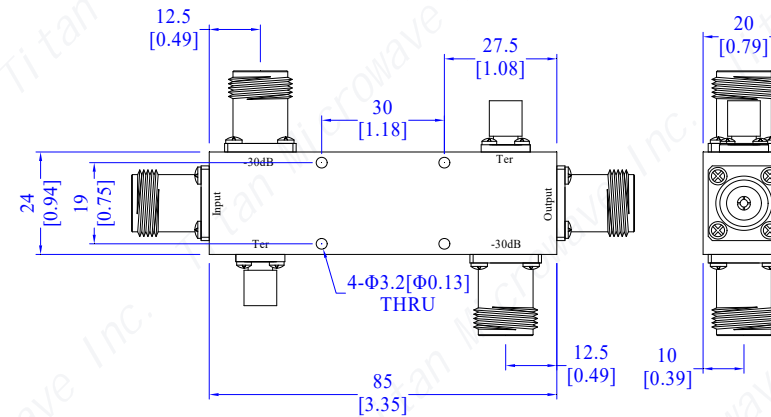
| | |
|-----------------------|------------------------|
| Frequency Range | 1~18GHz |
| Nominal Coupling | 30±1.5dB |
| Insertion Loss | 1.2dB max |
| VSWR Primary | 1.5:1 typ, 1.6:1 max |
| VSWR Secondary | 1.5:1 typ, 1.6:1 max |
| Directivity | 10dB min, 12dB typ |
| Frequency Sensitivity | ±0.7dB typ, ±1.0dB max |
| Impedance | 50 Ohms |
| Power Rating | 50W |

► Mechanical Data

| | |
|-------------------------|---------------|
| Dimensions | 85×24×20mm |
| Input/Output Connectors | N-Female |
| Coupled Connector | N-Female |
| Housing Material | Aluminum 6061 |
| Surface Finishing | Gray Painted |

► Environmental Data

| | |
|-----------------------|-----------|
| Operating Temperature | -40℃~+70℃ |
| Storage Temperature | -50℃~+85℃ |



Notes:

- ALL SPECIFICATIONS ARE SUBJECT TO CHANGE WITHOUT NOTICE AT ANY TIME
- CUSTOMER OUTLINE DRAWING FOR REFERENCE ONLY

| | | |
|--------------------------------------|-------|----------|
| DRAWN: L. Ma 16/04/22 | | |
| ENGINEER: J. Zhu 16/04/22 | | |
| APPROVED: C. Chen 16/04/22 | | |
| TOLERANCE UNLESS OTHERWISE SPECIFIED | | |
| x | ±0.50 | [0.019"] |
| .x | ±0.20 | [0.008"] |
| .xx | ±0.10 | [0.004"] |
| ANGLES | ±1° | |

TITLE:

Dual Directional Coupler,
1~18GHz,
Coupling 30dB, 50W,
N-Female

PART No.:

TDDC-01001800-30N50



www.titan-microwave.com



DIMENSIONS IN MILLIMETERS(mm)

| | | | |
|-------------|--------|---------------|-----------|
| SIZE: A4 | SCALE: | SHEET: 1/1 | REV: A |
|-------------|--------|---------------|-----------|