

REV	DESCRIPTION OF REVISION	By	DATE	APPROVED
A	INITIAL RELEASE	C. Cai	2022/4/16	C. Chen

## TECHNICAL DATA

### ► Electrical Data

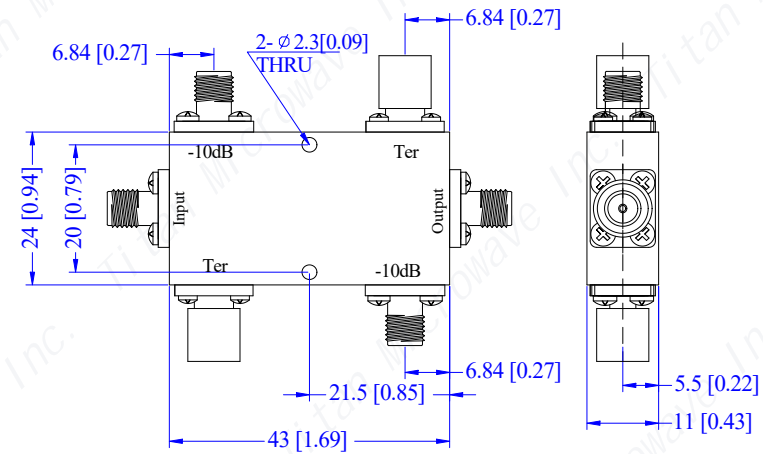
Frequency Range	2~8GHz
Nominal Coupling	10±1.0dB
Insertion Loss	1.4dB max
VSWR Primary	1.2:1 typ, 1.25:1 max
VSWR Secondary	1.2:1 typ, 1.25:1 max
Directivity	18dB min, 20dB typ
Frequency Sensitivity	±0.7dB typ, ±1.0dB max
Impedance	50 Ohms
Power Rating	50W

### ► Mechanical Data

Dimensions	43×24×11mm
Input/Output Connectors	SMA-Female
Coupled Connector	SMA-Female
Housing Material	Aluminum 6061
Surface Finishing	Gray Painted

### ► Environmental Data

Operating Temperature	-40℃~+70℃
Storage Temperature	-50℃~+85℃



#### Notes:

- ALL SPECIFICATIONS ARE SUBJECT TO CHANGE WITHOUT NOTICE AT ANY TIME
- CUSTOMER OUTLINE DRAWING FOR REFERENCE ONLY

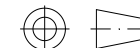
DRAWN: L. Ma 16/04/22		
ENGINEER: J. Zhu 16/04/22		
APPROVED: C. Chen 16/04/22		
TOLERANCE UNLESS OTHERWISE SPECIFIED		
x	±0.50	[0.019"]
.x	±0.20	[0.008"]
.xx	±0.10	[0.004"]
ANGLES	±1°	

**TITLE:**  
Dual Directional Coupler,  
2~8GHz,  
Coupling 10dB, 50W,  
SMA-Female

**PART No.:**  
TDDC-02000800-10S50



[www.titan-microwave.com](http://www.titan-microwave.com)



DIMENSIONS IN MILLIMETERS(mm)

<b>SIZE:</b> A4	<b>SCALE:</b>	<b>SHEET:</b> 1/1	<b>REV:</b> A
--------------------	---------------	----------------------	------------------