

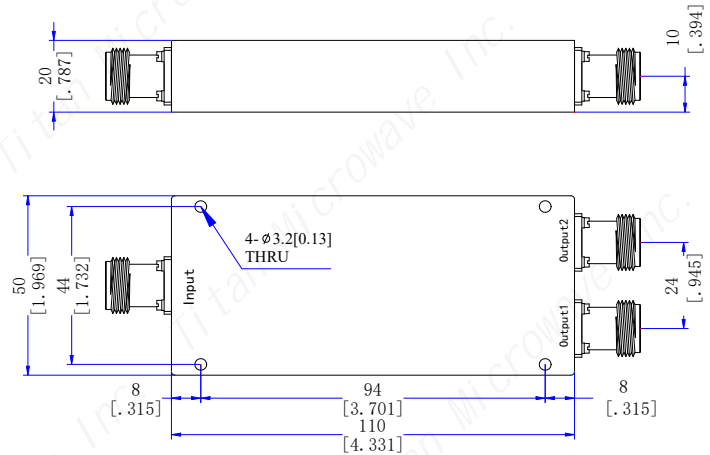
**TMPD2-00100300-30N**

**0.1 to 3 GHz, 30W, N-Female  
 2-WAY POWER DIVIDER**

**Electrical Characteristics**

<b>Frequency Range</b> .....	0.1~3GHz
<b>Insertion Loss</b> .....	2.6dB max (excluding theoretical loss 3.0dB)
<b>Amplitude Balance</b> .....	±0.2dB
<b>Phase Balance</b> .....	±3°
<b>VSWR(input port)</b> .....	1.18:1 typ, 1.35:1 max
<b>VSWR(output ports)</b> .....	1.12:1 typ, 1.25:1 max
<b>Isolation</b> .....	18dB min
<b>Impedance</b> .....	50 Ohms
<b>Power Handling</b> .....	30W(as a splitter) 1W(as a combiner)

**Outline Drawing(mm[inch])**



**Mechanical & Environmental Characteristics**

<b>Dimensions</b> .....	110 × 50 × 20mm
<b>RF Connectors</b> .....	N-Female
<b>Material</b> .....	Aluminum
<b>Surface Finishing</b> .....	Black/Blue/Gray Paint
<b>Operating Temperature</b> .....	-40°C~+85°C
<b>Storage Temperature</b> .....	-50°C~+105°C