

REV	DESCRIPTION OF REVISION	By	DATE	APPROVED
A	INITIAL RELEASE	C. Cai	2022/12/21	C. Chen

## TECHNICAL DATA

### ► Electrical Data

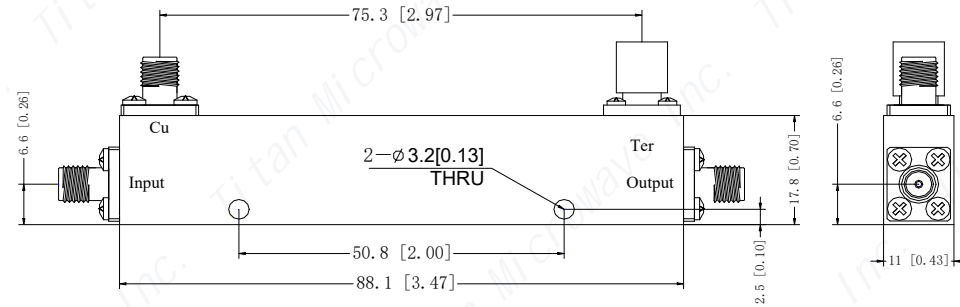
Frequency Range	1000~4000MHz
Nominal Coupling	10±1.0dB max
Insertion Loss	1.0dB max
Main Line VSWR	1.16 typ, 1.25 max
Coupled Line VSWR	1.15 typ, 1.25 max
Directivity	18dB min
Impedance	50 Ohms
Average Power	50W

### ► Mechanical Data

Input/Output Connectors	SMA-Female
Housing Material	Aluminum 6061
Surface Finish	Conductive Oxide
Dimensions	88.1×17.8×11mm


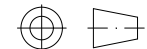
### ► Environmental Data

Operating Temperature	-40℃~+70℃
-----------------------	-----------



#### Notes:

- ALL SPECIFICATIONS ARE SUBJECT TO CHANGE WITHOUT NOTICE AT ANY TIME
- CUSTOMER OUTLINE DRAWING FOR REFERENCE ONLY

DRAWN: L. Ma 21/12/22	TITLE: Directional Coupler, 1-4GHz, Coupling 10dB, 50W, SMA-Female	 成都巨人微波 <b>TITAN MICROWAVE INC.</b> - A Professional RF & Microwave Components Supplier - <a href="http://www.titan-microwave.com">www.titan-microwave.com</a>		
ENGINEER: J. Zhu 21/12/22				
APPROVED: C. Chen 21/12/22				
TOLERANCE UNLESS OTHERWISE SPECIFIED	PART No.:	 DIMENSIONS IN MILLIMETERS(mm)		
x ±0.50 [0.019"]	TMDC-01000400-10S50			
.x ±0.20 [0.008"]	SIZE: A4	SCALE:	SHEET: 1/1	REV: A
.xx ±0.10 [0.004"]				
ANGLES ±1°				