

REV	DESCRIPTION OF REVISION	By	DATE	APPROVED
A	INITIAL RELEASE	C. Cai	2022/12/21	C. Chen

TECHNICAL DATA

► Electrical Data

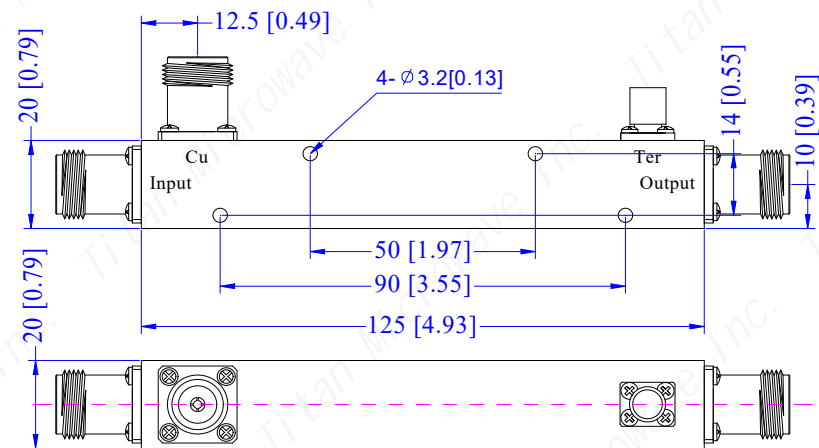
Frequency Range	400~6000MHz
Nominal Coupling	10±1.0dB
Insertion Loss(excluding coupling loss)	1.5dB max
Main Line VSWR	1.2 typ, 1.4 max
Coupled Line VSWR	1.2 typ, 1.4 max
Directivity	12dB min
Frequency Sensitivity	±1.0dB
Impedance	50 Ohms
Average Power	30W

► Mechanical Data

Input/Output Connectors	N-Female
Body Material	Aluminum
Surface Finish	Conductive Oxide
Dimensions	125×20×20mm

► Environmental Data

Operating Temperature	-40℃~+70℃
-----------------------	-----------



Notes:

- ALL SPECIFICATIONS ARE SUBJECT TO CHANGE WITHOUT NOTICE AT ANY TIME
- CUSTOMER OUTLINE DRAWING FOR REFERENCE ONLY

DRAWN: L. Ma 21/12/22		
ENGINEER: J. Zhu 21/12/22		
APPROVED: C. Chen 21/12/22		
TOLERANCE UNLESS OTHERWISE SPECIFIED		
x	±0.50	[0.019"]
.x	±0.20	[0.008"]
.xx	±0.10	[0.004"]
ANGLES	±1°	

TITLE:
Directional Coupler
0.4-6GHz, Coupling 10dB,
30W
N-Female

PART No.:
TMDC-00400600-10N30



www.titan-microwave.com



DIMENSIONS IN MILLIMETERS(mm)

SIZE: A4	SCALE:	SHEET: 1/1	REV: A
-------------	--------	---------------	-----------