

REV	DESCRIPTION OF REVISION	By	DATE	APPROVED
A	INITIAL RELEASE	C. Cai	2022/12/21	C. Chen

## TECHNICAL DATA

### ► Electrical Data

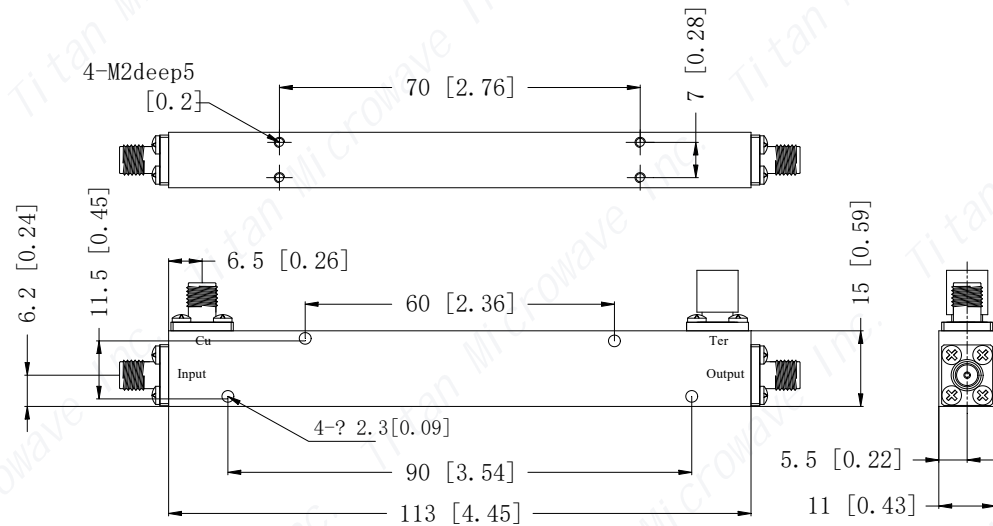
Frequency Range	400~8000MHz
Nominal Coupling	10±1.8dB
Insertion Loss(excluding coupling loss)	1.4dB max
Main Line VSWR	1.18 typ, 1.5 max
Coupled Line VSWR	1.18 typ, 1.5 max
Directivity	14dB min
Frequency Sensitivity	±0.9dB typ, ±1.0dB max
Impedance	50 Ohms
Average Power	30W

### ► Mechanical Data

Input/Output Connectors	SMA-Female
Body Material	Aluminum
Surface Finish	Black Paint
Dimensions	113×15×11mm

### ► Environmental Data

Operating Temperature	-45℃~+85℃
-----------------------	-----------



DRAWN: L. Ma 21/12/22		
ENGINEER: J. Zhu 21/12/22		
APPROVED: C. Chen 21/12/22		
TOLERANCE UNLESS OTHERWISE SPECIFIED		
x	±0.50	[0.019"]
.x	±0.20	[0.008"]
.xx	±0.10	[0.004"]
ANGLES	±1°	

TITLE:  
Directional Coupler  
0.4-8GHz, Coupling 10dB,  
30W  
SMA-Female

PART No.:  
TMDC-00400800-10S30



[www.titan-microwave.com](http://www.titan-microwave.com)



DIMENSIONS IN MILLIMETERS(mm)

SIZE: A4	SCALE:	SHEET: 1/1	REV: A
-------------	--------	---------------	-----------

#### Notes:

- ALL SPECIFICATIONS ARE SUBJECT TO CHANGE WITHOUT NOTICE AT ANY TIME
- CUSTOMER OUTLINE DRAWING FOR REFERENCE ONLY