

REV	DESCRIPTION OF REVISION	By	DATE	APPROVED
A	INITIAL RELEASE	C. Cai	2022/12/21	C. Chen

TECHNICAL DATA

► Electrical Data

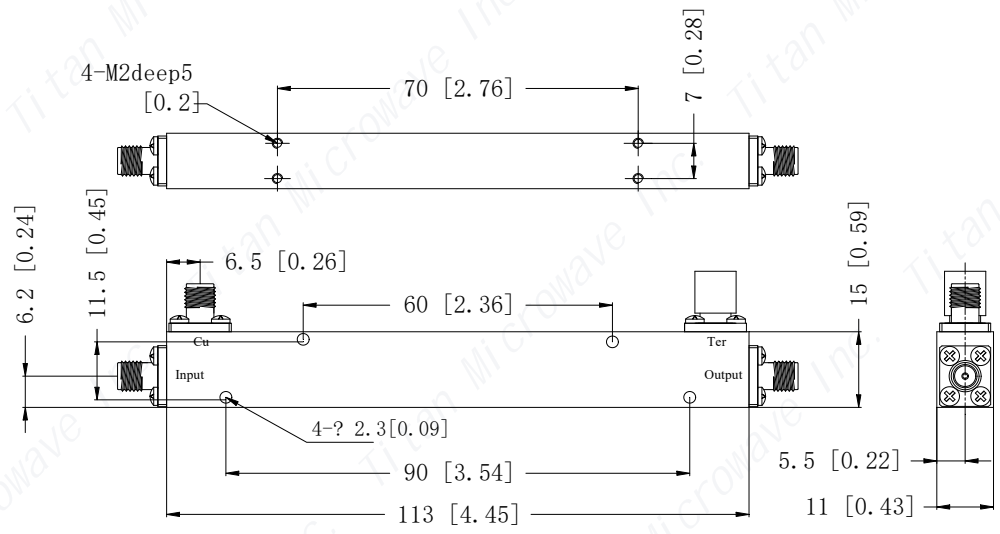
Frequency Range	400~8000MHz
Nominal Coupling	30±2.5dB@400~500MHz
	30±1.0dB@500~8000MHz
Insertion Loss	0.5dB max
Main Line VSWR	1.3 max
Coupled Line VSWR	1.3 max
Directivity	12dB min
Frequency Sensitivity	±0.9dB typ, ±1.0dB max
Impedance	50 Ohms
Average Power	30W

► Mechanical Data

Input/Output Connectors	SMA-Female
Body Material	Aluminum
Surface Finish	Black Paint
Dimensions	113×15×11mm

► Environmental Data

Operating Temperature	-45℃~+85℃
-----------------------	-----------



Notes:

- ALL SPECIFICATIONS ARE SUBJECT TO CHANGE WITHOUT NOTICE AT ANY TIME
- CUSTOMER OUTLINE DRAWING FOR REFERENCE ONLY

DRAWN: L. Ma 21/12/22		
ENGINEER: J. Zhu 21/12/22		
APPROVED: C. Chen 21/12/22		
TOLERANCE UNLESS OTHERWISE SPECIFIED		
x	±0.50	[0.019"]
.x	±0.20	[0.008"]
.xx	±0.10	[0.004"]
ANGLES	±1°	

TITLE:
 Directional Coupler
 0.4-8GHz, Coupling 30dB,
 30W
 SMA-Female

PART No.:
 TMDC-00400800-30S30

成都巨人微波
TITAN MICROWAVE INC.
 - A Professional RF & Microwave Components Supplier -

www.titan-microwave.com

DIMENSIONS IN MILLIMETERS(mm)

SIZE: A4	SCALE:	SHEET: 1/1	REV: A
-------------	--------	---------------	-----------