

REV	DESCRIPTION OF REVISION	By	DATE	APPROVED
A	INITIAL RELEASE	C. Cai	2022/12/21	C. Chen

## TECHNICAL DATA

### ► Electrical Data

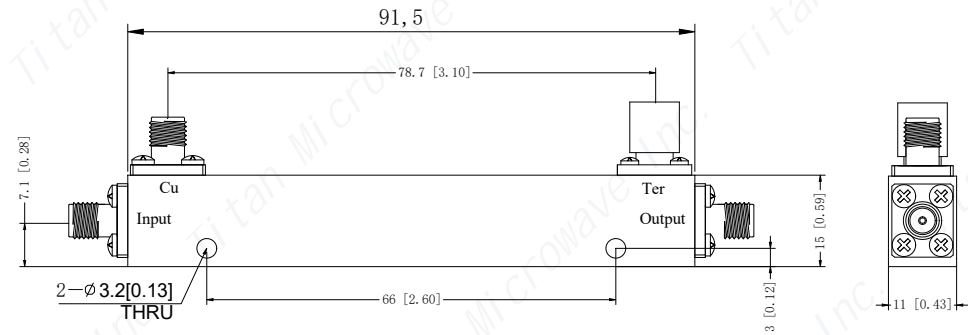
Frequency Range	0.5~1GHz
Nominal Coupling	10±1.0dB
Insertion Loss	1.5dB max
Main Line VSWR	1.18 typ, 1.25dB max
Coupled Line VSWR	1.18 typ, 1.25dB max
Directivity	18dB min
Frequency Sensitivity	±0.9dB typ, ±1.0dB max
Impedance	50 Ohms
Average Power	30W

### ► Mechanical Data

Input/Output Connectors	SMA-Female
Connectors Material	Stainless Steel
Body Material	Aluminum 6061
Surface Finish	Conductive Oxidation
Dimensions	91.5×15×11mm

### ► Environmental Data

Operating Temperature	-45°C~+85°C
-----------------------	-------------



#### Notes:

- ALL SPECIFICATIONS ARE SUBJECT TO CHANGE WITHOUT NOTICE AT ANY TIME
- CUSTOMER OUTLINE DRAWING FOR REFERENCE ONLY

DRAWN: L. Ma 21/12/22		
ENGINEER: J. Zhu 21/12/22		
APPROVED: C. Chen 21/12/22		
TOLERANCE UNLESS OTHERWISE SPECIFIED		
x	±0.50	[0.019"]
.x	±0.20	[0.008"]
.xx	±0.10	[0.004"]
ANGLES	±1°	

#### TITLE:

Directional Coupler, 0.5-1GHz, Coupling 10dB, 30W, SMA-Female

#### PART No.:

TMDC-00500100-10S30



[www.titan-microwave.com](http://www.titan-microwave.com)



DIMENSIONS IN MILLIMETERS(mm)

SIZE: A4	SCALE:	SHEET: 1/1	REV: A
-------------	--------	---------------	-----------