

REV	DESCRIPTION OF REVISION	By	DATE	APPROVED
A	INITIAL RELEASE	C. Cai	2022/12/21	C. Chen

TECHNICAL DATA

► Electrical Data

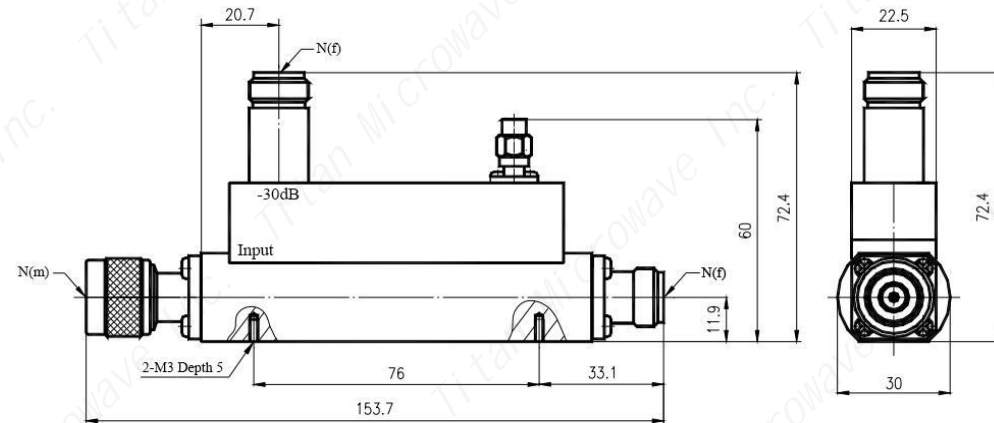
Frequency Range	2000~8000MHz
Nominal Coupling	30±1.0dB max
Insertion Loss	0.25dB max
Main Line VSWR	1.25 max
Coupled Line VSWR	1.50 max
Directivity	14dB min
Impedance	50 Ohms
Average Power	400W
Peak Power	5kW max

► Mechanical Data

Input/Output Connectors	N-Male & N-Female
Coupled Port	N-Female
Housing Material	Aluminum 6061
Surface Finish	Black/Blue/Gray Paint
Dimensions	153.7×30×72.4mm

► Environmental Data

Operating Temperature	-40℃~+70℃
-----------------------	-----------



DRAWN: L. Ma 21/12/22		
ENGINEER: J. Zhu 21/12/22		
APPROVED: C. Chen 21/12/22		
TOLERANCE UNLESS OTHERWISE SPECIFIED		
x	±0.50	[0.019"]
.x	±0.20	[0.008"]
.xx	±0.10	[0.004"]
ANGLES	±1°	

TITLE:
Directional Coupler,
2-8GHz, Coupling 30dB,
400W, N-Male/Female



www.titan-microwave.com



DIMENSIONS IN MILLIMETERS(mm)

PART No.:
TMDC-02000800-30N400

SIZE:
A4

SCALE:

SHEET:
1/1

REV:
A

Notes:

- ALL SPECIFICATIONS ARE SUBJECT TO CHANGE WITHOUT NOTICE AT ANY TIME
- CUSTOMER OUTLINE DRAWING FOR REFERENCE ONLY