

REV	DESCRIPTION OF REVISION	By	DATE	APPROVED
A	INITIAL RELEASE	C. Cai	2022/12/21	C. Chen

TECHNICAL DATA

► Electrical Data

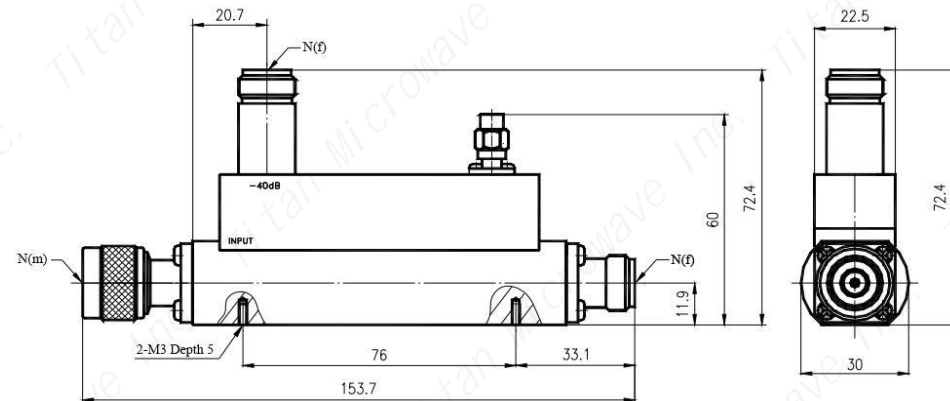
Frequency Range	2000~18000MHz
Nominal Coupling	40±1.5dB max
Insertion Loss	0.5dB max
Main Line VSWR	1.4 max
Coupled Line VSWR	1.6 max
Directivity	12dB min@2~12GHz
	10dB min@2~18GHz
Impedance	50 Ohms
Average Power	400W
Peak Power	3kW max

► Mechanical Data

Input/Output Connectors	N-Male & N-Female
Coupled Port	N-Female
Housing Material	Aluminum 6061
Surface Finish	Black/Blue/Gray Paint
Dimensions	153.7×30×72.4mm

► Environmental Data

Operating Temperature	-40℃~+70℃
-----------------------	-----------



DRAWN: L. Ma 21/12/22		
ENGINEER: J. Zhu 21/12/22		
APPROVED: C. Chen 21/12/22		
TOLERANCE UNLESS OTHERWISE SPECIFIED		
x	±0.50	[0.019"]
.x	±0.20	[0.008"]
.xx	±0.10	[0.004"]
ANGLES	±1°	

TITLE:
Directional Coupler,
2-18GHz, Coupling 40dB,
400W, N-Male/Female

成都巨人微波
TITAN MICROWAVE INC.
- A Professional RF & Microwave Components Supplier -

www.titan-microwave.com



DIMENSIONS IN MILLIMETERS(mm)

PART No.:

TMDC-02001800-40N400H

SIZE:
A4

SCALE:

SHEET:
1/1

REV:
A

Notes:

- ALL SPECIFICATIONS ARE SUBJECT TO CHANGE WITHOUT NOTICE AT ANY TIME
- CUSTOMER OUTLINE DRAWING FOR REFERENCE ONLY