

REV	DESCRIPTION OF REVISION	By	DATE	APPROVED
A	INITIAL RELEASE	C. Cai	2022/12/21	C. Chen

TECHNICAL DATA

► Electrical Data

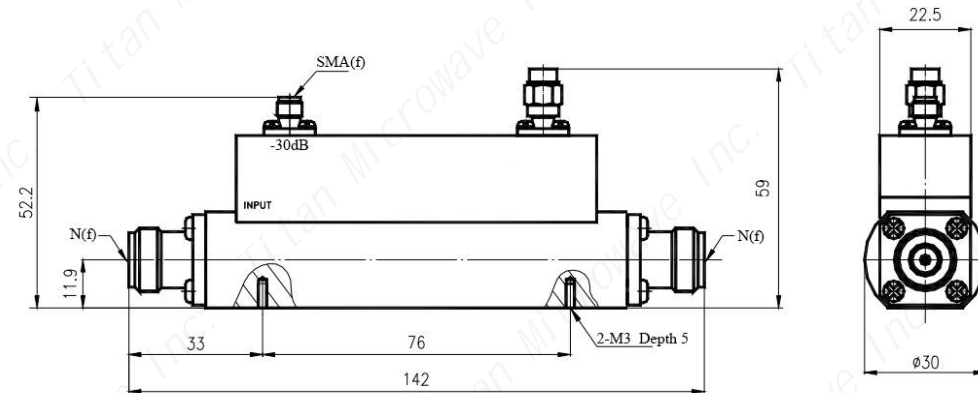
Frequency Range	2000~18000MHz
Nominal Coupling	30±1.5dB max
Insertion Loss	0.5dB max
Main Line VSWR	1.4 max
Coupled Line VSWR	1.6 max
Directivity	12dB min@2~12GHz 10dB min@2~18GHz
Impedance	50 Ohms
Average Power	400W
Peak Power	3kW max

► Mechanical Data

Input/Output Connectors	N-Female
Coupled Port	SMA-Female
Housing Material	Aluminum 6061
Surface Finish	Black/Blue/Gray Paint
Dimensions	142×30×59mm

► Environmental Data

Operating Temperature	-40℃~+70℃
-----------------------	-----------



Notes:

- ALL SPECIFICATIONS ARE SUBJECT TO CHANGE WITHOUT NOTICE AT ANY TIME
- CUSTOMER OUTLINE DRAWING FOR REFERENCE ONLY

DRAWN: L. Ma 21/12/22		
ENGINEER: J. Zhu 21/12/22		
APPROVED: C. Chen 21/12/22		
TOLERANCE UNLESS OTHERWISE SPECIFIED		
x	±0.50	[0.019"]
.x	±0.20	[0.008"]
.xx	±0.10	[0.004"]
ANGLES	±1°	

TITLE:

Directional Coupler,
2-18GHz, Coupling 30dB,
400W, N/SMA-Female

PART No.:

TMDC-02001800-30NS400



www.titan-microwave.com



DIMENSIONS IN MILLIMETERS(mm)

SIZE: A4	SCALE:	SHEET: 1/1	REV: A
-------------	--------	---------------	-----------