

REV	DESCRIPTION OF REVISION	By	DATE	APPROVED
A	INITIAL RELEASE	C. Cai	2022/12/21	C. Chen

TECHNICAL DATA

Electrical Data

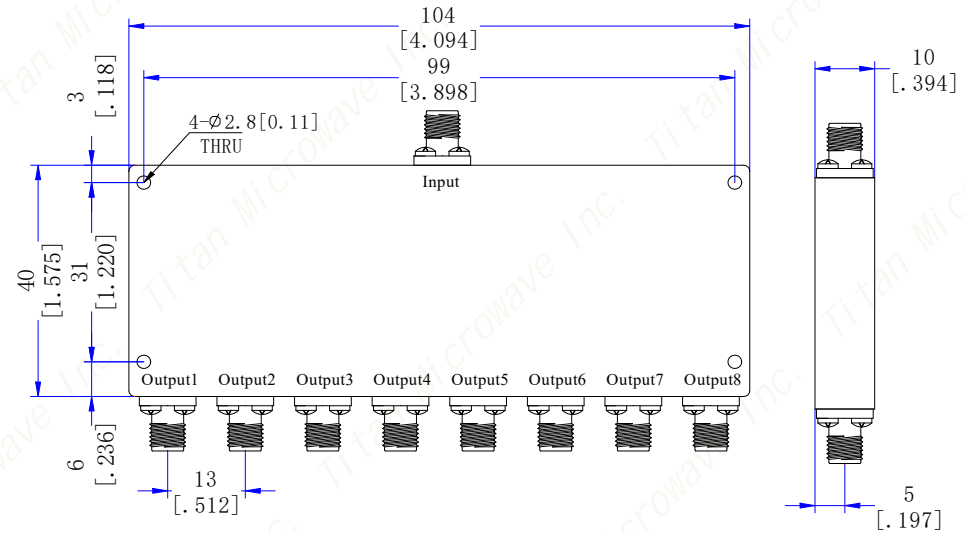
Frequency Range	18-27GHz
Insertion Loss	1.8dB max
(excluding theoretical loss 9.0dB)	
Input Port VSWR	1.38 typ, 1.70 max
Output Port VSWR	1.26 typ, 1.60 max
Isolation	16dB min, 24dB typ
Amplitude Balance	±0.6dB
Phase Balance	±8°
Impedance	50 Ohms
Power Rating	10W(as a splitter) 1W(as a combiner)

Mechanical Data

Input/Output Connectors	SMA-Female
Connector Material	Stainless Steel
Dimensions	104×40×10mm
Surface Finish	Black Painted
Weight	140g

Environmental Data

Operating Temperature	-45°C~+85°C
-----------------------	-------------



Notes:

- ALL SPECIFICATIONS ARE SUBJECT TO CHANGE WITHOUT NOTICE AT ANY TIME
- CUSTOMER OUTLINE DRAWING FOR REFERENCE ONLY

DRAWN: L. Ma 21/12/22		
ENGINEER: J. Zhu 21/12/22		
APPROVED: C. Chen 21/12/22		
TOLERANCE UNLESS OTHERWISE SPECIFIED		
x	±0.50	[0.019"]
.x	±0.20	[0.008"]
.xx	±0.10	[0.004"]
ANGLES	±1°	

TITLE:
Power Divider, 8 Way,
18~27GHz, 10W
SMA-Female

PART No.:
TMPD8-18002700-10S

成都巨人微波
TITAN MICROWAVE INC.
- A Professional RF & Microwave Components Supplier -

www.titan-microwave.com



DIMENSIONS IN MILLIMETERS(mm)

SIZE: A4	SCALE:	SHEET: 1/1	REV: A
-------------	--------	---------------	-----------