

TMDC-01006700-14V1 1-67 GHz, 14dB, 1W, 1.85mm-Female

FEATURES

- ❖ Wide Band Operation 1-67 GHz
- ❖ Power Handle Capability up to 1W
- ❖ 14 dB Typical Coupling
- ❖ Low Insertion Loss

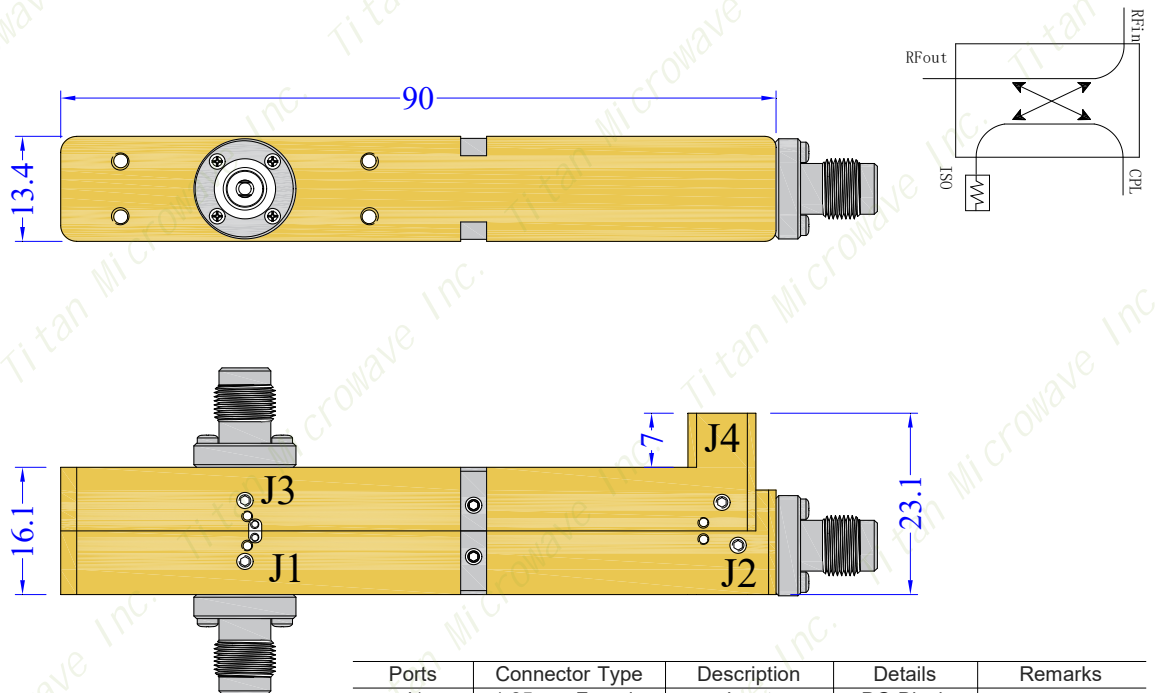
APPLICATIONS

- ❖ Frequency Measurements
- ❖ Signal Levelling, Signal Sampling
- ❖ Signal Injection
- ❖ Reflection Coefficient Measurements
- ❖ Measure incident and reflected power to determine VSWR

SPECIFICATIONS(T=25°C)

Parameters	Min.	Typ.	Max.	Min.	Typ.	Max.	Min.	Typ.	Max.	Units
Frequency Range	1	-	26.5	26.5	-	50	50	-	67	GHz
Impedance	-	50	-	-	50	-	-	50	-	Ohms
Nominal Coupling	12	14	16	12	14	16	12	14	16	dB
Directivity	18	22	-	17	20	-	17	20	-	dB
Insertion Loss	-	-	1.2	-	-	1.8	-	-	2.0	dB
VSWR Primary	-	1.35	1.5	-	1.4	1.55	-	1.45	1.6	:1
VSWR Secondary	-	1.35	1.5	-	1.4	1.55	-	1.45	1.6	:1
Input Power	-	-	-	-	-	-	-	-	1	W
Max Input Power	-	-	-	-	-	-	-	-	2	W
Operating Temperature	-40°C~+60°C									
Storage Temperature	-55°C~+70°C									
Input/Output Connectors	1.85mm-Female									
Weight	220g max									
Housing Material	Gold Plated Brass									

Outline Drawing [mm[inch]]



Ports	Connector Type	Description	Details	Remarks
J1	1.85mm-Female	Input	DC-Block	-
J2	1.85mm-Female	Output	DC-Block	-
J3	1.85mm-Female	Coupling	DC-Block	-
J4	1.85mm Load	Load	DC-Block	Terminated

Tolerances ±0.5[0.02]