

TMDC-01005000-1341 1-50GHz, 13.5dB, 1W, 2.4mm-Female

FEATURES

- ❖ Wide Band Operation 1-50GHz
- ❖ Power Handle Capability up to 1W
- ❖ 13.5 dB Typical Coupling
- ❖ Low Insertion Loss

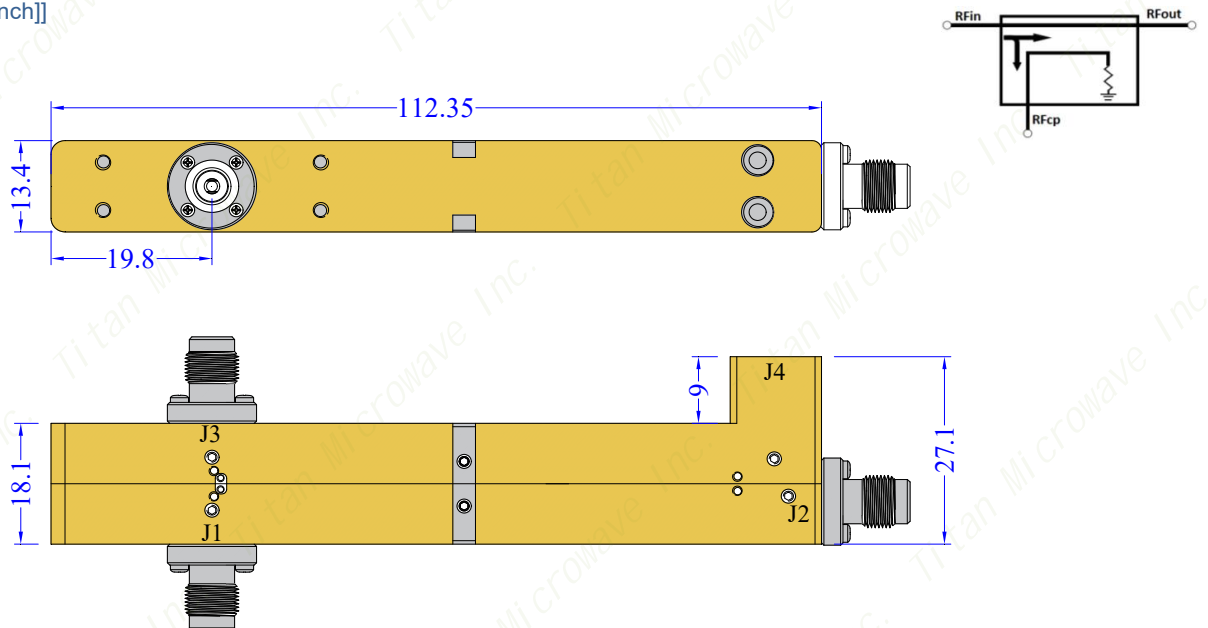
APPLICATIONS

- ❖ Frequency Measurements
- ❖ Signal Levelling, Signal Sampling
- ❖ Signal Injection
- ❖ Reflection Coefficient Measurements
- ❖ Measure incident and reflected power to determine VSWR

SPECIFICATIONS(T=25°C)

Parameters	Min.	Typ.	Max.	Min.	Typ.	Max.	Min.	Typ.	Max.	Units
Frequency Range	1	-	10	10	-	26.5	26.5	-	50	GHz
Impedance	-	50	-	-	50	-	-	50	-	Ohms
Nominal Coupling	10.5	13.5	16.5	10.5	13.5	16.5	10.5	13.5	16.5	dB
Directivity	22	27	-	20	24	-	17	21	-	dB
Insertion Loss	-	-	0.8	-	-	1.0	-	-	1.5	dB
VSWR Primary	-	1.1	1.2	-	1.15	1.24	-	1.2	1.3	:1
VSWR Secondary	-	1.1	1.2	-	1.15	1.24	-	1.2	1.3	:1
Input Power	-	-	-	-	-	-	-	-	1	W
Max Input Power	-	-	-	-	-	-	-	-	2	W
Operating Temperature	-40°C~+60°C									
Storage Temperature	-55°C~+70°C									
Input/Output Connectors	2.4mm-Female									
Weight	300g max									
Housing Material	Gold Plated Brass									

Outline Drawing [mm[inch]]



Ports	Connector Type	Description	Details	Remarks
J1	2.4mm-Female	Input	DC-Block	-
J2	2.4mm-Female	Output	DC-Block	-
J3	2.4mm-Female	Coupling	DC-Block	-
J4	2.4mm Load	Load	DC-Block	Terminated

Tolerances ±0.5[0.02]