

TMDC-01005000-1341A 1-50GHz, 13dB, 1W, 2.4mm-Female

FEATURES

- ❖ Wide Band Operation 1-50GHz
- ❖ Power Handle Capability up to 1W
- ❖ 13dB Typical Coupling
- ❖ Low Insertion Loss

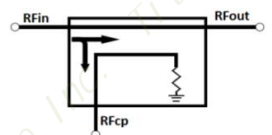
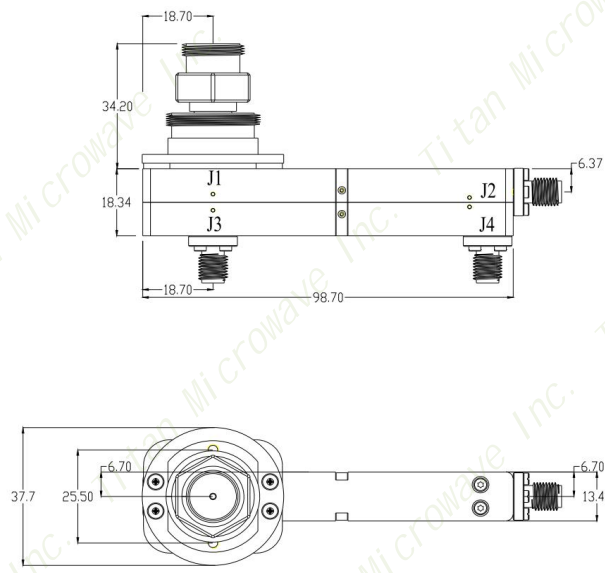
APPLICATIONS

- ❖ Frequency Measurements
- ❖ Signal Levelling, Signal Sampling
- ❖ Signal Injection
- ❖ Reflection Coefficient Measurements
- ❖ Measure incident and reflected power to determine VSWR

SPECIFICATIONS(T=25°C)

Parameters	Min.	Typ.	Max.	Min.	Typ.	Max.	Min.	Typ.	Max.	Units
Frequency Range	1	-	10	10	-	26.5	26.5	-	50	GHz
Impedance	-	50	-	-	50	-	-	50	-	Ohms
Nominal Coupling	11	13	15	11	13	15	11	13	15	dB
Directivity	24	27	-	22	25	-	20	22	-	dB
Insertion Loss	0.2	-	0.5	0.5	-	0.7	0.7	-	1.2	dB
VSWR Primary	-	1.1	1.14	-	1.12	1.22	-	1.17	1.2	:1
VSWR Secondary	-	1.1	1.14	-	1.12	1.22	-	1.17	1.2	:1
Input Power	-	-	-	-	-	-	-	-	1	W
Max Input Power	-	-	-	-	-	-	-	-	2	W
Operating Temperature	-40°C~+60°C									
Storage Temperature	-55°C~+85°C									
Input Connector	2.4mm NMD-Female									
Output/Coupled Connectors	2.4mm-Female									
Weight	280g max									
Housing Material	Gold Plated Brass									

Outline Drawing [mm[inch]]



Ports	Connector Type	Description	Details	Remarks
J1	2.4mm NMD-Female	Input	DC-Block	-
J2	2.4mm-Female	Output	DC-Block	-
J3	2.4mm-Female	Coupling	DC-Block	-
J4	2.4mm Load	Load	DC-Block	Terminated

Tolerances ±0.5[0.02]