

REV	DESCRIPTION OF REVISION	By	DATE	APPROVED
A	INITIAL RELEASE	C. Cai	2025/1/3	C. Chen

## TECHNICAL DATA

### ► Electrical Data

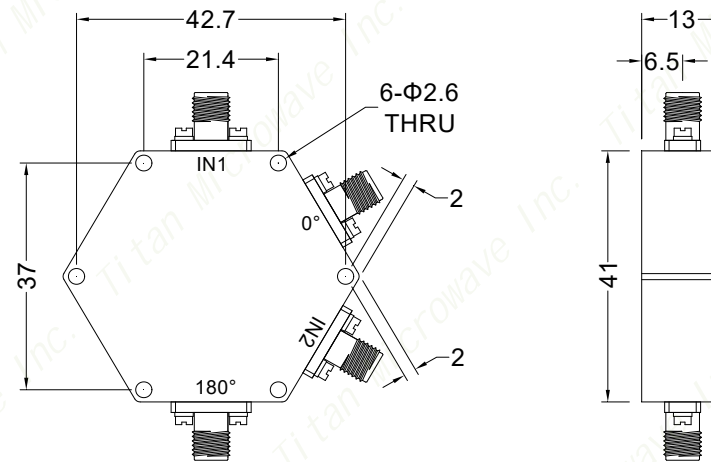
Frequency Range	7.8~8.5GHz
Insertion Loss	0.6dB max
VSWR	1.4:1 max
Isolation	20dB min
Amplitude Balance	±0.5dB max
Phase Balance	±5° max
Impedance	50 Ohms
Power Rating	1W(CW)

### ► Mechanical Data

Input/Output Connectors	SMA-Female
Dimensions	41×42.7×13mm
Surface Finish	Black Painted

### ► Environmental Data

Operating Temperature	-55℃~+85℃
-----------------------	-----------



#### Notes:

- ALL SPECIFICATIONS ARE SUBJECT TO CHANGE WITHOUT NOTICE AT ANY TIME
- CUSTOMER OUTLINE DRAWING FOR REFERENCE ONLY

DRAWN: L. Ma 3/1/25		
ENGINEER: J. Zhu 3/1/25		
APPROVED: C. Chen 3/1/25		
TOLERANCE UNLESS OTHERWISE SPECIFIED		
x	±0.50	[0.019"]
.x	±0.20	[0.008"]
.xx	±0.10	[0.004"]
ANGLES	±1°	

**TITLE:**  
180 Deg. Hybrid Coupler,  
7.8~8.5GHz, 1W, SMA-  
Female

**PART No.:**  
TMHC180-07800850-1S



[www.titan-microwave.com](http://www.titan-microwave.com)



DIMENSIONS IN MILLIMETERS(mm)

<b>SIZE:</b> A4	<b>SCALE:</b>	<b>SHEET:</b> 1/1	<b>REV:</b> A
--------------------	---------------	----------------------	------------------